

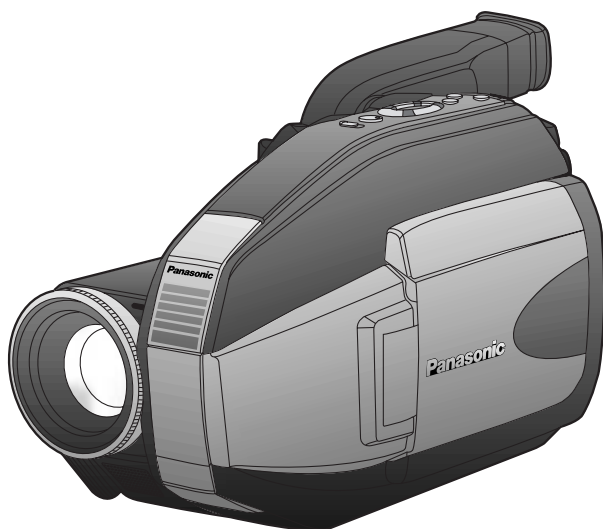
Palmcorder®
MultiCam™ Camcorder



Panasonic®

Camcorder
Operating Instructions

Models No. **PV-L452**
PV-L652



(PV-L652 shown)

MultiMediaCard™



Please read these instructions carefully before attempting to operate this product.
Please save this manual.

Guía para rápida consulta en español está incluida.

For assistance, please call : 1-800-211-PANA(7262) or send e-mail to : consumerproducts@panasonic.com

LSQT0529C

Getting Started

Basic Operation

Special Features

For Your Information

Things You Should Know

Thank you for choosing Panasonic!

You have purchased one of the most sophisticated and reliable products on the market today. Used properly, it will bring you years of enjoyment. Please take time to fill in the information to the right. The serial number is on the tag located on the rear side of your Camcorder. Be sure to **retain this manual** as your convenient Camcorder information source.

Date of Purchase

Dealer Purchased From

Dealer Address

Dealer Phone No.

Model No.

Serial No.

Unpack your Camcorder

These accessories are provided in order to set up or use your Camcorder.

1 pc. AC Adaptor
(PV-A19/PV-A20) with DC
Power Cable (page 10)



1 pc. Audio/Video Cable
(LSJA0390) (pages 21, 22)



1 pc. Battery Pack
(PV-BP18) (pages 9, 10)



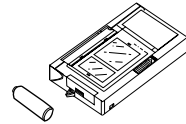
1 pc. Shoulder Strap
(LSFC0012) (page 12)



1 pc. CR2025 Clock
Battery (VSBW0004)
(installed in Camcorder)
(page 50)



1 pc. VHS PlayPak
(PV-P1/YMW0009) and
one "AA" battery (page 21)



1 pc. Lens Cap (LSYK0817)
with Lens Cap Strap
(LSGQ0049) (page 12)



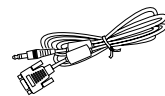
1 pc. Digital PhotoShot Disk
for Windows 95/98/Me/2000
(LSFT0490) (page 41)



1 pc. Memory Card [8 MB]
(LSFT0262) (page 34)



1 pc. PC Connection Cable
(RS232C-2.5P)
(LSJA0276) (page 41)



SD is a trademark of the SD Card Association.

MultiMediaCard is a registered trademark of the MultiMediaCard Association.

Microsoft and Windows are registered trademarks of Microsoft in the United States and other countries.

All product/brand names are trademarks or registered trademarks of the respective holders.

This operating instruction book is designed for use with models **PV-L452** and **PV-L652**. Illustrations in this manual show the **PV-L652**. Features may vary, so please read carefully.

Differences between models

Model Number	LCD Monitor	Digital Zoom maximum	Viewfinder	Security Tag
PV-L452	63.5 mm (2.5 inch) Liquid Crystal Display	750x	10.2 mm (0.4 inch) Electronic Viewfinder	YES
PV-L652	76.2 mm (3.0 inch) Liquid Crystal Display	800x	14 mm (0.55 inch) Liquid Crystal Color Electronic Viewfinder	NO

Things You Should Know





Safety Precautions

WARNING: TO PREVENT FIRE OR SHOCK HAZARD, DO NOT EXPOSE THIS EQUIPMENT TO RAIN OR MOISTURE.

Your Compact VHS Camcorder is designed to record and play back in Standard Play (SP) and Super Long Play (SLP) modes. You can also play a Compact VHS Camcorder recording on your VHS VCR using the supplied VHS PlayPak.

This Camcorder is equipped with the **HQ** System to provide excellent video pictures, and is compatible with standard VHS equipment.

It is recommended that only cassette tapes that have been tested and inspected for use in VCR machines with the **VHS-C** and/or **VHS** mark be used.

	CAUTION RISK OF ELECTRIC SHOCK DO NOT OPEN			This symbol warns the user that uninsulated voltage within the unit may have sufficient magnitude to cause electric shock. Therefore, it is dangerous to make any kind of contact with any inside part of this unit.
CAUTION: TO REDUCE THE RISK OF ELECTRIC SHOCK, DO NOT REMOVE COVER (OR BACK) NO USER-SERVICEABLE PARTS INSIDE REFER SERVICING TO QUALIFIED SERVICE PERSONNEL				This symbol alerts the user that important literature concerning the operation and maintenance of this unit has been included. Therefore, it should be read carefully in order to avoid any problems.

The above markings are located on the appliance's bottom cover.

Declaration of Conformity

Model Number : **PV-L452/PV-L652**
Trade Name : Panasonic
Responsibility Party : Matsushita Electric Corporation of America
Address : One Panasonic Way Secaucus New Jersey 07094
Telephone Number : 1-800-211-PANA(7262)

This device complies with Part 15 of the FCC Rules. Operation is subject to the following two conditions: (1) This device may not cause harmful interference, and (2) this device must accept any interference received, including interference that may cause undesired operation.

FCC Warning : To assure continued FCC compliance, the user must use only provided shielded interfacing cable with ferrite cores when connecting to computer. Also, any unauthorized changes or modifications to this equipment would void the users authority to operate.

Note: This equipment has been tested and found to comply with Part 15 and part 18 of the FCC Rules. These limits are designed to provide reasonable protection against harmful interference when operated in a residential environment.

If this equipment does cause interference to radio or television reception, which can be determined by turning the equipment off and on, use the equipment in another location and/or utilize an electrical outlet different from that used by the receiver.

If necessary, consult the dealer or an experienced radio/TV technician for help. You may find the booklet, 'Something About Interference' available from FCC local regional offices helpful.

This product may cause interference to radio equipment and should not be installed near maritime safety communications equipment or other critical navigation or communication equipment operating between 0.45-30 MHz.

Important Safeguards

- 1. Read Instructions** – All the safety and operating instructions should be read before the unit is operated.
- 2. Retain Instructions** – The safety and operating instructions should be retained for future reference.
- 3. Heed Warnings** – All warnings on the unit and in the operating instructions should be adhered to.
- 4. Follow Instructions** – All operating and maintenance instructions should be followed.
- 5. Cleaning** – Unplug this video unit from the wall outlet before cleaning. Do not use liquid or aerosol cleaners. Use a dry cloth for cleaning.
- 6. Attachments** – Do not use attachments not recommended by the video product manufacturer as they may be hazardous.
- 7. Water and Moisture** – Do not use this video unit near water – for example near a bath tub, wash bowl, kitchen sink, or laundry tub, in a wet basement, or near a swimming pool, and the like.
- 8. Accessories** – Do not place this video unit on an unstable cart, stand, tripod, bracket, or table. The video unit may fall, causing serious injury to a child or adult, and serious damage to the unit. Use only with a cart, stand, tripod, bracket, or table recommended by the manufacturer, or sold with the video unit. Any mounting of the unit should follow the manufacturer's instructions and should use a mounting accessory recommended by the manufacturer. An appliance and cart combination should be moved with care. Quick stops, excessive force, and uneven surfaces may cause the appliance and cart combination to overturn.
- 9. Ventilation** – Slots and openings in the cabinet are provided for ventilation and to ensure reliable operation of the video unit and to protect it from overheating. These openings must not be blocked or covered. Never place the video unit on a bed, sofa, rug, or other similar surface, or near or over a radiator or heat register. This video unit should not be placed in a built-in installation such as a bookcase or rack unless proper ventilation is provided or the manufacturer's instructions have been adhered to.
- 10. Power Sources** – This video unit should be operated only from the type of power source indicated on the marking label. If you are not sure of the type of power supply to your home, consult your appliance dealer or local power company. For video units intended to be operated from battery power, or other sources, refer to the operating instructions.



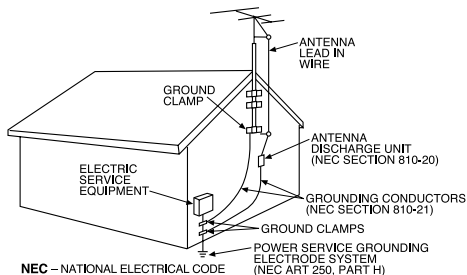
- 11. Grounding or Polarization** – This video unit may be equipped with either a polarized 2-wire AC (Alternating Current) line plug (a plug having one blade wider than the other) or 3-wire grounding type plug, a plug having a third (grounding) pin.

The 2-wire polarized plug will fit into the power outlet only one way. This is a safety feature. If you are unable to insert the plug fully into the outlet, try reversing the plug. If the plug still fails to fit, contact your electrician to replace your obsolete outlet.

Do not defeat the safety purpose of the polarized plug.

The 3-wire grounding type plug will fit into a grounding type power outlet. This is a safety feature. If you are unable to insert the plug into the outlet, contact your electrician to replace your obsolete outlet. Do not defeat the safety purpose of the grounding type plug.

- 12. Power-Cord Protection** – Power-supply cords should be routed so that they are not likely to be walked on or pinched by items placed upon or against them. Paying particular attention to cords of plugs, convenience receptacles, and the point where they exit from the unit.
- 13. Outdoor Antenna Grounding** – If an outside antenna or cable system is connected to the video unit, be sure the antenna or cable system is grounded so as to provide some protection against voltage surges and built-up static charges. Part 1 of the Canadian Electrical Code, in USA Section 810 of the National Electrical Code, provides information with respect to proper grounding of the mast and supporting structure, grounding of the lead-in wire to an antenna discharge unit, size of grounding conductors, location of antenna discharge unit, connection to grounding electrodes, and requirements for the grounding electrode.



- 14. Lightning** – For added protection of this video unit receiver during a lightning storm, or when it is left unattended and unused for long periods of time, unplug it from the wall outlet and disconnect the antenna or cable system. This will prevent damage to the video unit due to lightning and power-line surges.

15. **Power Lines** – An outside antenna system should not be located in the vicinity of overhead power lines or other electric light or power circuits, or where it can fall into such power lines or circuits. When installing an outside antenna system, extreme care should be taken to keep from touching such power lines or circuits as contact with them might be fatal.
16. **Overloading** – Do not overload wall outlets and extension cords as this can result in a risk of fire or electric shock.
17. **Objects and Liquids** – Never push objects of any kind into this video unit through openings as they may touch dangerous voltage points or short out parts that could result in a fire or electric shock. Never spill liquid of any kind onto the video unit.
18. **Servicing** – Do not attempt to service this video unit yourself as opening or removing covers may expose you to dangerous voltage or other hazards. Refer all servicing to qualified service personnel.
19. **Damage Requiring Service** – Unplug this video unit from the wall outlet and refer servicing to qualified service personnel under the following conditions:
 - a. When the power-supply cord or plug is damaged.
 - b. If any liquid has been spilled into, or objects have fallen onto, the video unit.
 - c. If the video unit has been exposed to rain or water.
 - d. If the video unit does not operate normally by following the operating instructions. Adjust only those controls that are covered by the operating instructions, as an improper adjustment of other controls may result in damage and will often require extensive work by a qualified technician to restore the video unit to its normal operation.
 - e. If the video unit has been dropped or the cabinet has been damaged.
 - f. When the video unit exhibits a distinct change in performance – this indicates a need for service.
20. **Replacement Parts** – When replacement parts are required, be sure the service technician has used replacement parts specified by the manufacturer or have the same characteristics as the original part. Unauthorized substitutions may result in fire, electric shock or other hazards.
21. **Safety Check** – Upon completion of any service or repairs to this video unit, ask the service technician to perform safety checks to determine that the video unit is in safe operating order.

Precautions

USE & LOCATION

- **TO AVOID SHOCK HAZARD ...** Your Camcorder and power supply should not be exposed to rain or moisture. Do not connect the power supply or operate your Camcorder if it gets wet. Your Camcorder has been designed for outdoor use, however it is not designed to sustain direct exposure to water, rain, sleet, snow, sand, dust, or a direct splashing from a pool or even a cup of coffee. This action could permanently damage the internal parts of your Camcorder. Do not attempt to disassemble this unit. There are no user serviceable parts inside. Unplug your Camcorder from the power supply before cleaning.
- **DO NOT AIM YOUR CAMCORDER AT THE SUN OR OTHER BRIGHT OBJECTS.**
- **DO NOT LEAVE THE CAMCORDER WITH THE EVF AIMED DIRECTLY AT THE SUN AS THIS MAY CAUSE DAMAGE TO THE INTERNAL PARTS OF THE EVF.**
- **DO NOT EXPOSE YOUR CAMCORDER TO EXTENDED HIGH TEMPERATURE ...** Such as, in direct sunlight, inside a closed car, next to a heater, etc... This action could permanently damage the internal parts of your Camcorder.
- **AVOID SUDDEN CHANGES IN TEMPERATURE ...** If the unit is suddenly moved from a cold place to a warm place, moisture may form on the tape and inside the unit.
- **DO NOT LEAVE YOUR CAMCORDER OR THE POWER SUPPLY TURNED ON WHEN NOT IN USE.**
- **STORAGE OF YOUR CAMCORDER ...** Store and handle your Camcorder in a manner that will not subject it to unnecessary movement (avoid shaking and striking). Your Camcorder contains a sensitive pick-up device which could be damaged by improper handling or storage.

CARE

- **TO CLEAN YOUR CAMCORDER ...** Do not use strong or abrasive detergents when cleaning your Camcorder body.
- **TO PROTECT THE LENS ...** Do not touch the surface of the lens with your hand. Use a commercial camcorder lens solution and lens paper when cleaning the lens. Improper cleaning can scratch the lens coating.
- **TO PROTECT THE FINISH OF YOUR CAMCORDER ...** Before handling your Camcorder, make sure your hands and face are free from any chemical products, such as suntan lotion, as it may damage the finish.

Table of Contents

Getting Started

Things You Should Know	2~3
Important Safeguards	4~5
Precautions	5
Self Demo Mode	7
Quick Operation Guide	8
Supplying Power (Battery Charge/Use/Refresh/Care, AC Adaptor, Car Battery Cord)	9~10
Cassette Information	11
Before Using (Remove the Sensor tag, Using the Shoulder and Hand Straps, Lens Cap)	12
Using MENU Mode	13
Setting the Clock (Time Zone, Auto Daylight Saving Time)	14~15
Built-in Auto Light (Using the Light, Rplacing the Bulb)	16

Basic Operation

Camera Recording (Basic, Stand-by, Programmed Recording)	17~19
Playing Back Recordings	
(Basic Playback, Visual Search, Still Picture, Tracking, TV/VCR Playback)	20~21
Copying your Tapes (dubbing)	22

Special Features

Four-Speed Power Zoom	23	Digital Still Camera	34~40
Backlight	23	• Memory Card Insertion/Removal .	34
MagicPix™ Images	24	• Recording	35
Focus (Auto/Manual Focus)	25	• Using the Light	36
High Speed Shutter (Auto/Manual Shutter)	26	• Playback.....	36
Auto Fade	27	• Displayed Directry/Image Number ...	37
Color Digital Fade	28	• Delete Specific Images	38
Color Digital Filter	29	• Picture in Picture Wipe Title	39
Digital Zoom	30	• Digital Wipe Mode	40
Digital Electronic Image		PC Connection	41~44
Stabilization (E.I.S.)	31	Using a SD PCMCIA Adaptor	
Still/Strobe/Wide	32	(optional)	45
MotionSensor	33		

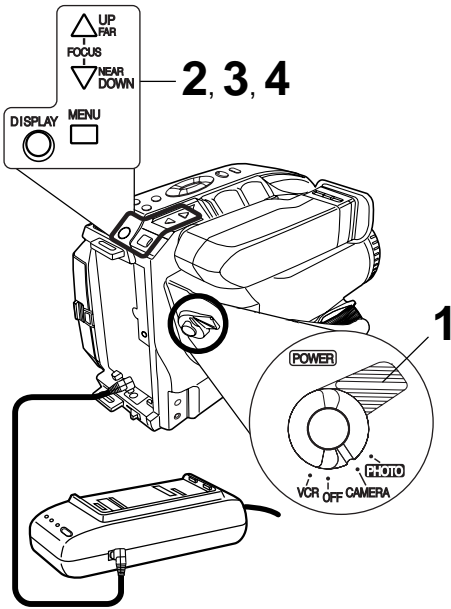
For Your Information

Viewfinder/LCD Monitor Indications	46~48
Operation Notes (Cleaning EVF)	49
Notice	49
Replacing Clock Battery	50
Palmcorder Accessory System	51~52
Palmcorder Accessory Order Form	53
Specifications	54
Before Requesting Service (Video Head Cleaning, Self Diagnostic System)	55~56
Request for Service Notice	56
Limited Warranty	57
Servicenter List	58
Spanish Quick Use Guide/Guía Para Uso Rápido	59
Index	60

Self Demo Mode

Self Demo mode is on when the screen below appears. To turn it off, follow steps 1-4 below.

EVF or LCD Monitor

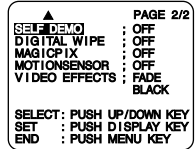


Before you begin...

- Connect Camcorder to power source.

1 Set POWER to CAMERA.

2 Press MENU for MENU mode.
Press UP or DOWN to select **SELF DEMO**.



3 Press DISPLAY to select OFF.

4 Press MENU to exit.

Note:

- Self Demo stops automatically if battery is attached (page 9) and cassette tape is inserted (page 11).
- Inserting a tape alone (or attaching a partially charged battery) only temporarily stops Self Demo.
- Self Demo stops for 30 seconds when the Light is pressed.

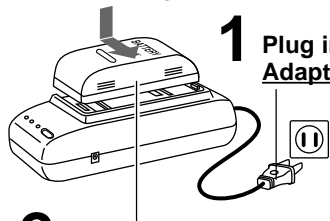
To turn Self Demo back on:

- Set to SELF DEMO : ON in MENU screen.

Quick Operation Guide

Charging the Battery Pack

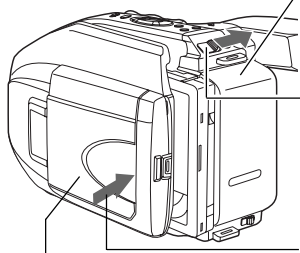
Charge Battery Pack fully before operation (page 9).



1 Plug in **AC Adaptor**.

2 Insert **Battery**. **CHARGE** Lamp flashes, then stays lit when charging is complete.

Insert Cassette



1 Attach fully charged **Battery** (page 9).

2 Slide **TAPE EJECT** to open door.

3 Insert **cassette** (page 11).

4 Press here to close door.

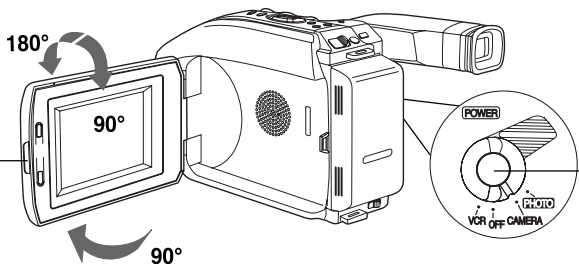
Protection Film Note:

- Remove the Protection Film before use.

Camera Recording

When the LCD monitor is open, the EVF automatically turns OFF (Color EVF model only) (page 17).

1 Press **LCD-OPEN** to unlock the LCD monitor. Swing it fully open and adjust the angle.



2 Set **POWER** to **CAMERA**.

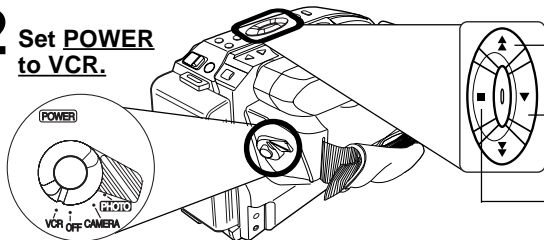
3 Press **RECORD/PAUSE** to start recording. Press **RECORD/PAUSE** again to pause recording.

Playback using the LCD Monitor

When the LCD monitor is open, the EVF automatically turns OFF (Color EVF model only) (page 20).

1 Press **LCD-OPEN** to unlock the LCD monitor. Swing it fully open and adjust the angle (see above).

2 Set **POWER** to **VCR**.



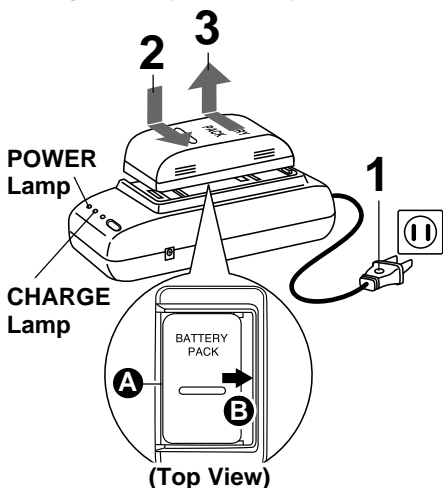
3 Press **REWIND/SEARCH** to rewind tape.

4 Press **PLAY** to start playback.

5 Press **STOP** to stop playback.

Charging the Battery Pack

Charge Battery Pack fully before use.



1

Plug in **AC Adaptor**.
POWER Lamp lights.

2

Insert **Battery**.

A Align left side of Battery with left edge of AC Adaptor.

B Press Battery down and slide in direction of arrow.

The CHARGE Lamp flashes, then stays lit when charging is complete.

3

Remove **Battery**.

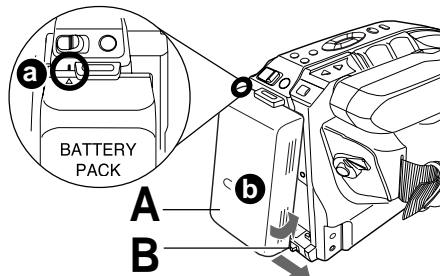
Slide Battery to the left and lift off.

Note:

- Charging takes about 1 and 1/2 hours.
- While the DC Power Cable (supplied) is connected to the AC Adaptor, the Battery cannot be charged.
- After charging 5 times, use Battery Refresh feature as explained below.
- Battery life gradually decreases after repeated use and recharging. If operation time becomes very short even after a sufficient charge, discard Battery properly (page 10).

Using the Battery Pack

A fully charged Battery provides a maximum of about 2 hours of continuous use (LCD monitor off) or about 1.5 hours (LCD monitor on). Actual time may vary due to operating conditions. Using the Built-in Light decreases operating time.



A

Attach **Battery**.

a Insert top of Battery into top of mounting surface.

b Press and snap into place.

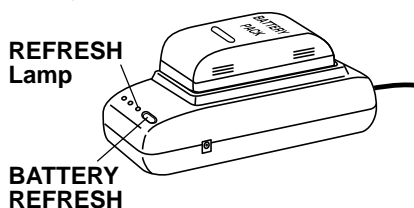
B

Remove **Battery**.

Slide **BATTERY RELEASE** and remove Battery.

Battery Refresh

This feature completely discharges Battery before recharging begins. Use after every 5 charges for optimum Battery performance.



To use battery refresh, insert Battery on AC Adaptor (see steps 1~2 above), then press **BATTERY REFRESH**.

The REFRESH Lamp lights, then goes out when discharge is complete. Battery charging will then start automatically.

If **BATTERY REFRESH** is pressed by mistake, remove Battery from AC Adaptor and reinsert it for normal charging.

Note:

- Charging takes about 7 and 1/2 hours when Battery Refresh is used.
- Battery will not operate in extremely high temperatures.

Supplying Power

Battery Care

Caution:

- Charge only with specified charger.
- Battery can be charged within a temperature range of 10 °C (50 °F) and 35 °C (95 °F).
- Battery is normally warm after charging or just after use.
- Do not use an insufficiently charged or worn-out Battery.

Safety precautions:

- Do not get Battery near, or dispose of in, fire.
- Do not directly connect (short circuit) the positive (+) and negative (-) terminals.
- Never attempt to disassemble or reassemble Battery.

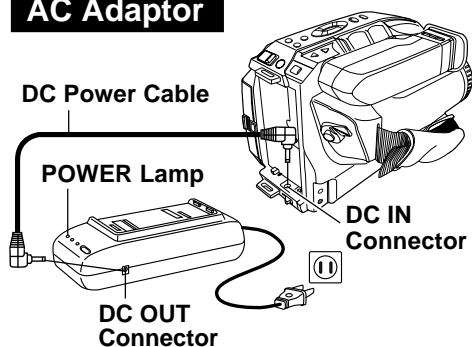
To avoid Battery damage:

- Do not drop or jar Battery.
- Use Battery with specified units only.
- If Battery is used in extremely high temperatures, a safety device will automatically prevent operation.

To prolong Battery life:

- While not in use, remove Battery from the Camcorder and AC Adaptor, and store in a cool, dark, dry place.
- Keep Battery terminals clean.

AC Adaptor



1 Connect **AC Adaptor DC OUT** to **Camcorder DC IN** with supplied DC Power Cable.

2 Plug in AC Adaptor. POWER Lamp lights.

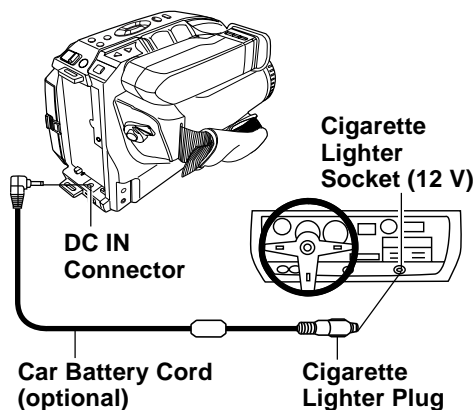
Note:

- While the DC Power Cable (supplied) is connected to the AC Adaptor, the Battery cannot be charged.
- When not in use, unplug AC Adaptor from AC outlet. (Adaptor uses 1.2 W of electricity while plugged in.)

CAUTION:

This unit will operate on 110/120/220/240 V AC 50/60 Hz. An AC plug adaptor may be required for voltages other than 120 V AC. Please contact either a local or foreign electrical parts distributor for assistance in selecting an alternate AC plug. We recommend using the accessory power plug adaptor (VJSS0070) in an area which has special AC outlets.

Car Battery Cord (Optional)



1 Connect **PV-C16 Car Battery Cord (optional)** to **Camcorder DC IN**.

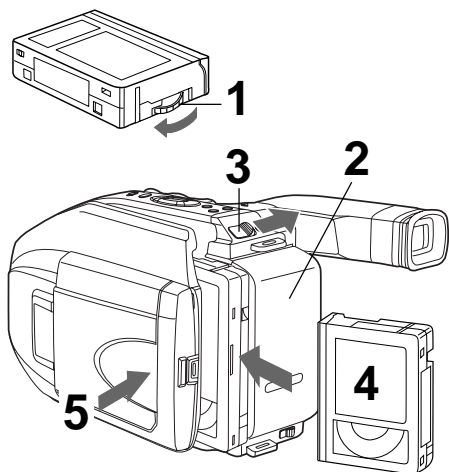
2 **(A)** Start engine first.
(B) Plug Car Battery Cord into Cigarette lighter socket.

- If Car Battery cord fuse needs replacing, use exact current rating (in amps).

Note:

- This cord only works in vehicles equipped with **DC 12 V (negative ground)** battery. Check with your car/truck dealer. Use only specified car battery cord.
- To avoid blowing the car battery cord fuse, do step 2 in the proper order.
- Running vehicles must be well ventilated.
- When not in use, disconnect cigarette lighter plug.
- For personal safety the driver of the vehicle should not attempt to operate the camcorder while driving.

Cassette Insertion/Removal



- 1** Turn **Tape Wheel** in direction of arrow until there is no slack.
 - 2** Attach **Battery** (page 9).
 - 3** Slide **TAPE EJECT** to open door.
 - 4** Insert **cassette** as shown.
 - 5** Press here to close door.
- To remove the cassette, slide the **TAPE EJECT** switch.

Record/Playback Time

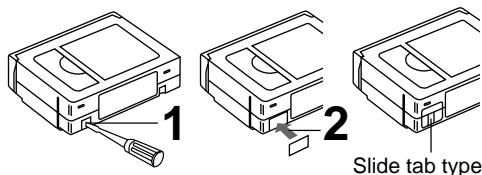
Use tapes with the **VHSC** mark in this unit.

Tape Speed Selector Position	Cassette type		
	TC-20	TC-30	TC-40
SP (Standard Play)	20 minutes	30 minutes	40 minutes
SLP (Super Long Play)	1 hour	1 hour 30 minutes	2 hours

- SLP playback may contain more picture noise.

Erase Protection Tab

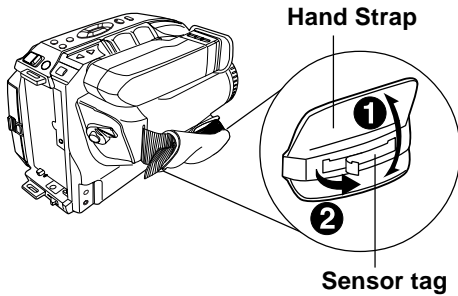
Protects tapes from being accidentally erased.



- 1** To prevent accidental erasing, **break off tab** with screwdriver. (Or, slide tab open.)
- 2** To record again, **cover hole** with adhesive tape. (Or, slide tab closed.)

Before Using

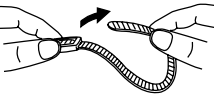
How to remove the Sensor tag (PV-L452 only)

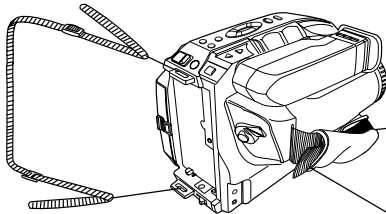


- 1 Open the Hand Strap as illustrated at left.
- 2 Remove the Sensor tag. Then, replace the Hand Strap.

Attaching Shoulder Strap

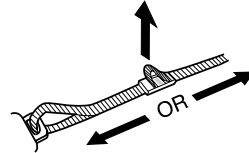
Remove Battery Pack before doing steps.

- 1 Undo strap ends from buckles. 
- 2 Thread strap ends through Strap Rings on Camcorder.



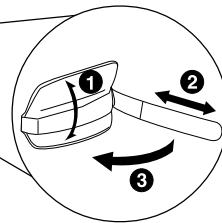
- 3 Re-insert the strap ends into buckles. 
- min. 25.4 mm (1 inch)

Adjust the Length of the Shoulder Strap



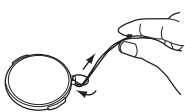
Pull a loop of strap from buckle, then pull strap tight to shorten or lengthen.

Hand Strap

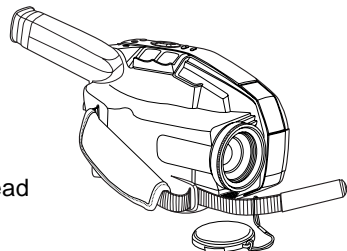


Adjust Hand Strap length to fit your hand as shown.

Lens Cap

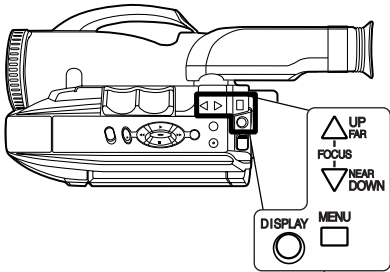


Attaching the Lens Cap Strap:
Thread the Strap through the Lens Cap attachment ring as illustrated at left.



Attaching the Lens Cap Cord to the Hand Strap:

Remove the Hand Strap from the front clasp and thread the Strap through the loop in the Lens Cap Cord. Reattach the Hand Strap.



1, 2, 3, 4

Before you begin...

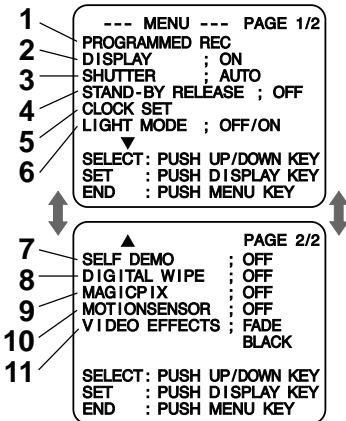
- Connect Camcorder to power source.
- Set POWER to CAMERA or VCR.

- 1 Press **MENU** for MENU mode.
The CAMERA or VCR MENU screen (see below left) appears when Menu mode is entered.
- 2 Press **UP** or **DOWN** to highlight the desired menu item.
- 3 Press **DISPLAY** to set selection.
- 4 Press **MENU** to exit.

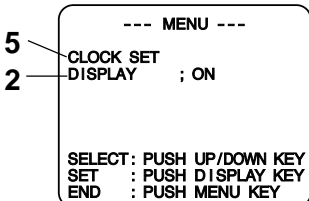
Note:

- The Menu mode is canceled if **UP/DOWN**, **DISPLAY**, or **MENU** are not pressed within 5 minutes when Self Demo mode is off.
- The Menu mode is canceled if **UP/DOWN**, **DISPLAY**, or **MENU** are not pressed within 30 seconds when Self Demo mode is on.

MENU Mode (CAMERA) Screen



MENU Mode (VCR) Screen



- 1 **PROGRAMMED REC** (page 19).
Camcorder starts and stops recording at a preset time.
- 2 **DISPLAY** (page 46).
ON : On-screen Display (OSD) screens are displayed.
- 3 **SHUTTER** (page 26).
Select desired shutter speed.
- 4 **STAND-BY RELEASE** (page 18).
ON : Enables quick resumption of recording from Stand-by mode.
- 5 **CLOCK SET** (pages 14, 15).
Select to set clock.
- 6 **LIGHT MODE** (page 16).
ON/OFF : Light can be set ON or OFF.
ON/OFF/AUTO : Light can be set ON, OFF, or AUTO.
- 7 **SELF DEMO** (page 7).
ON : SELF DEMO screen is displayed.
- 8 **DIGITAL WIPE** (pages 39, 40).
ON : Digital wipe mode can be used.
- 9 **MAGICPIX** (page 24).
ON : Picture sensitivity is increased.
- 10 **MOTIONSENSOR** (page 33).
ON : Enables MotionSensor recording.
- 11 **VIDEO EFFECTS** (pages 27~29).
AUTO FADE : BLACK or WHITE
DIGITAL FADE : TYPE → 7 types
COLOR → 8 colors
DIGITAL FILTER : COLOR → 5 colors

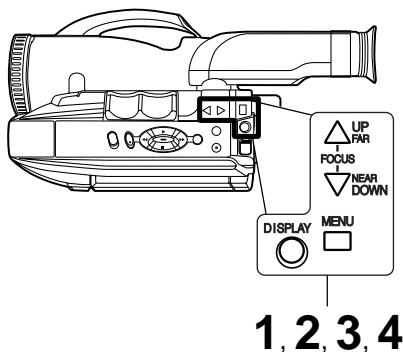
Setting the Clock

Set the following items in order: Time Zone, Daylight Saving Time, Date, and Time.

Before you begin...

- Connect Camcorder to power source.
- Set POWER to CAMERA or VCR.

- 1 Press **MENU** for MENU mode.
Press **UP** or **DOWN** to select **CLOCK SET**.



```
--- MENU --- PAGE 1/2
PROGRAMMED REC
DISPLAY : ON
SHUTTER : AUTO
STAND-BY RELEASE : OFF
CLOCK SET
LIGHT MODE : OFF/ON
SELECT: PUSH UP/DOWN KEY
SET : PUSH DISPLAY KEY
END : PUSH MENU KEY
```

[CAMERA MODE]

```
--- MENU ---
CLOCK SET
DISPLAY : ON
SELECT: PUSH UP/DOWN KEY
SET : PUSH DISPLAY KEY
END : PUSH MENU KEY
```

[VCR MODE]

- 2 Press **DISPLAY** for CLOCK SET menu.
Press **UP** or **DOWN** to select TIME ZONE, DST, or DATE/TIME.

```
--- CLOCK SET ---
TIME ZONE : EASTERN
D. S. T. : AUTO
DATE/TIME : 12 : 00 : 00AM
JAN 1 2002
SELECT: PUSH UP/DOWN KEY
SET : PUSH DISPLAY KEY
END : PUSH MENU KEY
```

- 3 Press **DISPLAY** for menu of item selected in step 2.

To change the setting:

TIME ZONE → Go to step 3a on page 15.

D.S.T. → Go to step 3b on page 15.

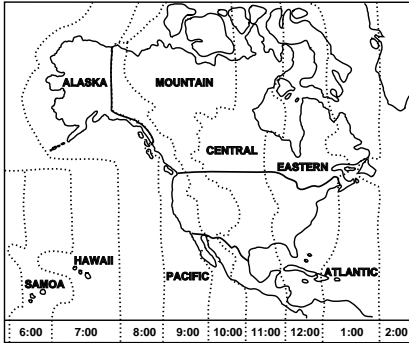
DATE/TIME → Go to step 3c on page 15.

- 4 Press **MENU** twice to exit.

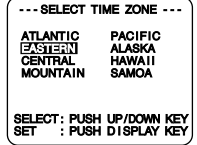
3a Setting the Time Zone

The Camcorder is preset to Eastern time.

[Time Zone chart]



Press **UP** or **DOWN** to select local time zone.
Press **DISPLAY** to confirm entry.



- When traveling, repeat this operation and select one of the 8 listed time zones to set the clock to local time.

Note :

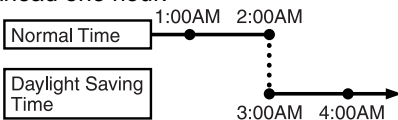
- Clock may lose or gain up to 2 minutes per month.
- When traveling outside the listed time zones, set clock to local time manually.
- To adjust or set clock, see "Setting Date and Time" bottom of page.

3b Auto Daylight Saving Time

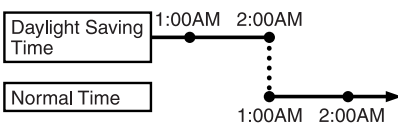
Clock will auto-adjust to daylight saving time (DST).

DST: AUTO

Spring (First Sunday in April) : ahead one hour.



Autumn (Last Sunday in October) : back one hour.



The Camcorder is preset to DST: **AUTO**. If DST is not observed in your area, set to **OFF** by doing the following.

Press **UP** or **DOWN** to select OFF or AUTO.
Press **DISPLAY** to confirm entry.



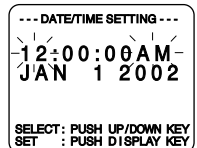
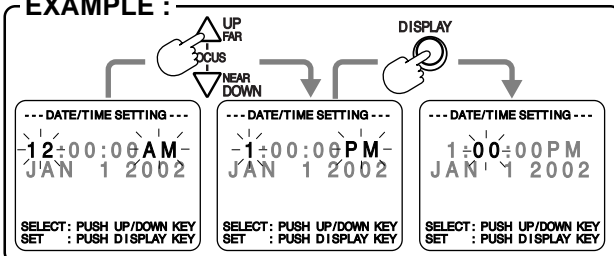
Note:

- Auto DST does not function if time zone is set to Hawaii or Samoa (see "Setting the Time Zone" above).

3c Setting Date and Time

Date and time including leap year are calculated up to DEC 31, 2099.

EXAMPLE :



Press or hold down **UP** or **DOWN** to select hour, then press **DISPLAY** to fix.

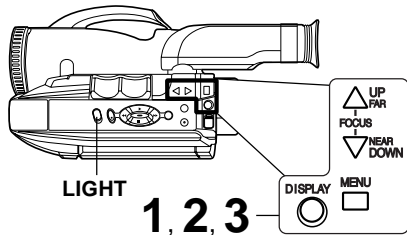
Repeat for minute, month, day, and year.

Clock starts when year is entered and **DISPLAY** is pressed.

Built-in Auto Light

Using the Light

For recording in dim lighting.

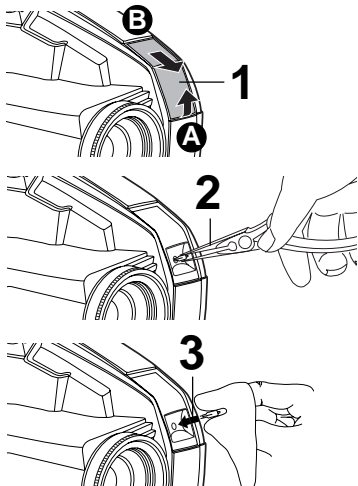


CAUTION:
Light becomes hot.
Never cover Light while on.

Note:

- Using Light reduces battery operating time.
- Provide proper ventilation when using Light extensively in a hot environment.
- Using Light when the Camcorder is powered by a car battery may shorten bulb life.
- Set Light to OFF when not in use.

Replacing the Bulb



DANGER:

Use only replacement bulb (PART NO. VLLW0015) supplied by Panasonic to reduce risk of fire.

Handle new bulb with cloth or tissue as skin oils will decrease bulb life.

Remove lens cover and allow bulb to cool before replacing to avoid possible burn hazard.

Before you begin...

- Connect Camcorder to power source.
- Set POWER to CAMERA.

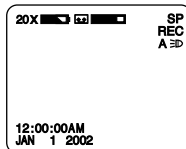
1 Press **MENU** for MENU mode. Press **UP** or **DOWN** to select **LIGHT MODE**.

2 Press **DISPLAY** to set OFF/ON or OFF/ON/AUTO. Press **MENU** to exit.

3 Press **LIGHT** repeatedly for Light ON, OFF, or AUTO.
• In AUTO, light turns itself on/off according to lighting conditions.

--- MENU --- PAGE 1/2
PROGRAMMED REC : ON
DISPLAY : ON
SHUTTER : AUTO
STAND-BY RELEASE : OFF
CLOCK SET :
LIGHT MODE : OFF/ON
SELECT : PUSH UP/DOWN KEY
SET : PUSH DISPLAY KEY
END : PUSH MENU KEY

EVF or LCD Monitor



⇒ : Light is on.

A ⇒ : Light mode is auto.

Before you begin...

- Order Part No. VLLW0015 for replacement bulb.
- Set POWER to OFF.

1 Slightly raise portion **A** of lens cover to unhook, and slide portion **B** forward to remove.

2 Using Tweezers or needle-nose pliers, carefully remove bulb.
• Take unit to service center if you need assistance.

3 Replace bulb using a clean cloth or tissue. (Do not touch with fingers.)

4 Replace lens cover.

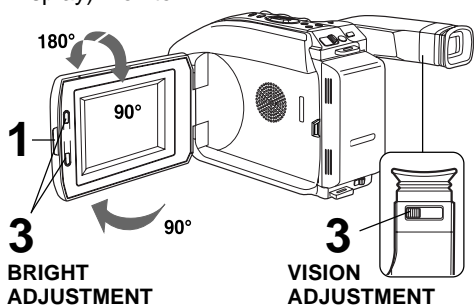
Note:

- Handle bulb gently. Excessive force may cause bulb to crack.

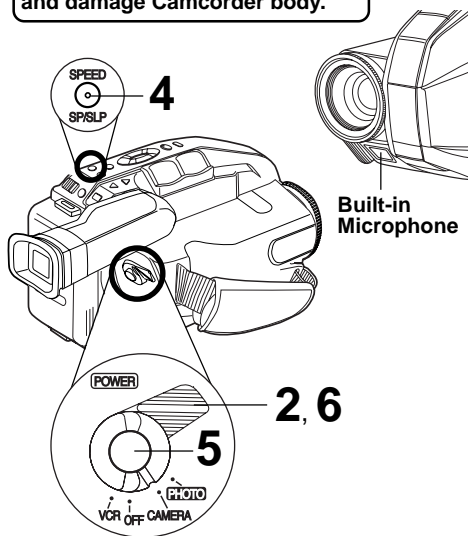
Camera Recording

Recording via EVF or LCD Monitor

View recording scene on EVF (Electronic Viewer Finder) or LCD (Liquid Crystal Display) monitor.



CAUTION :
Rotating partially open LCD monitor may block cassette door and damage Camcorder body.



WARNING (PV-L652 only) :

- Do not leave the camcorder with the EVF aimed directly at the sun. This may cause damage to the internal parts of the EVF.

Note:

- When Camcorder is aimed at excessively bright objects, or bright lights, a vertical bar may appear in the picture. This is normal for the CCD pick-up. Try to avoid this when possible.
- Using LCD monitor reduces battery operation time. Return LCD monitor to locked position when not in use.

Before you begin...

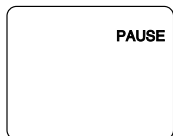
- Connect Camcorder to power source.
- Insert cassette with record tab (page 11).

1 Press **LCD-OPEN** to unlock the LCD monitor. **Swing LCD monitor fully open and adjust viewing angle.**

- If you want to record using EVF, close and lock LCD monitor.

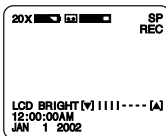
2 Set **POWER** to **CAMERA**.

- Be sure **POWER** is fully turned to **CAMERA** position.
- EVF or LCD monitor** turns on/off by the **POWER** switch.
- EVF** shuts off when **LCD** monitor is opened and turns back on when **LCD** is closed (Color EVF model only).
- Both **EVF** and **LCD** monitor turn on when **LCD** is at 180° (see above left). This allows both you and the subject to view the recording.



EVF or LCD Monitor (Record/Pause mode)

3 **LCD :** Press **BRIGHT ADJUSTMENT** to adjust **LCD** monitor brightness level.

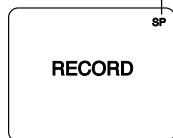


EVF : Look into **EVF** and adjust **VISION ADJUSTMENT** to your eyesight.

4 Hold down **TAPE SPEED** for about 1 second to change tape speed to **SP/SLP** (page 11).

Tape speed

5 Press **RECORD/PAUSE** to start or pause recording.



EVF or LCD Monitor (Record mode)

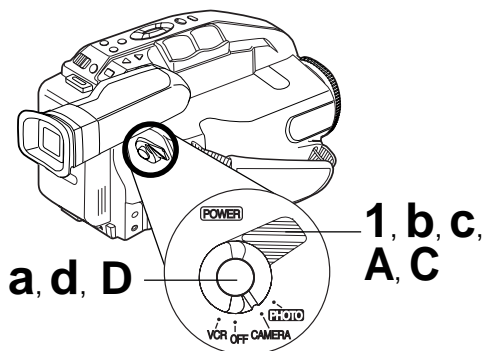
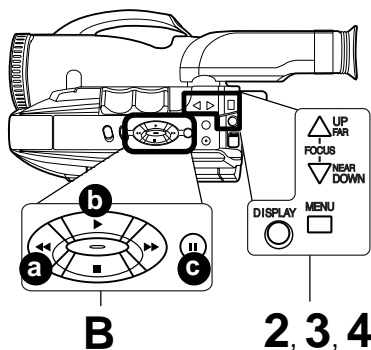
6 Set **POWER** to **OFF** when finished.

- To remove the cassette, slide the **TAPE EJECT** switch (page 11).

Camera Recording

Before you begin...

- Connect Camcorder to power source.
- Insert cassette with record tab (page 11).



Stand-by Quick Release

If left in RECORD/PAUSE mode for 5 minutes, Camcorder switches to Stand-by mode to conserve battery. When set to ON, Stand-by Quick Release lets you resume recording by pressing RECORD/PAUSE two times. Stand-by Quick Release is set to OFF at the factory.

1 Set POWER to CAMERA.

2 Press MENU for MENU mode.
Press UP or DOWN to select STAND-BY RELEASE.

3 Press DISPLAY to select ON/OFF.

ON : From Stand-by mode, press RECORD/PAUSE two times to resume recording.

OFF : From Stand-by mode, set POWER to OFF, then to CAMERA. Press RECORD/PAUSE to record.

4 Press MENU to exit.

```
--- MENU --- PAGE 1/2
PROGRAMMED REC
DISPLAY      : ON
SHUTTER     : AUTO
STAND-BY RELEASE : OFF
CLOCK SET
LIGHT MODE  : OFF/ON
SELECT: PUSH UP/DOWN KEY
SET      : PUSH DISPLAY KEY
END      : PUSH MENU KEY
```

Manual Easy Editing

For proper continuity when taping from Stop mode or after attaching a new Battery.

A Set POWER to VCR.

B **a** Press REWIND/SEARCH to rewind a few seconds of tape.

b Press PLAY to review recording.

c Press STILL where you want to continue recording.

C Set POWER to CAMERA.

D Press RECORD/PAUSE to resume recording.

Easy Edit Stand-by

For a smooth transition between scenes if recording is stopped, and then started within 24 hours.

a Press RECORD/PAUSE to stop recording.

b Set POWER to OFF and leave cassette in Camcorder.

c To resume recording, set POWER to CAMERA.

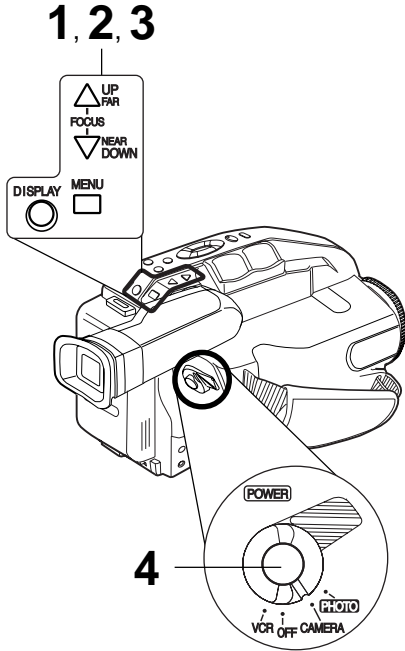
d Press RECORD/PAUSE to resume recording.

Note:

- Use Manual Easy Edit (left) if more than 24 hours before recording is resumed.

Programmed Recording

Set a recording start and stop time. Or, set a 5 or 10 second interval recording to be done each minute.



REC TIME :

→ 10MIN. → 20MIN. → 30MIN. ←

INTERVAL*2 ← INTERVAL*1 ← TO TAPE ←

10SEC/MIN. 5SEC/MIN. END

*1 Record 5 seconds each minute.
*2 Record 10 seconds each minute.

Before you begin...

- Connect Camcorder to power source.
Use AC Adaptor for longer recordings.
- Insert cassette with record tab (page 11).
- Set **POWER** to **CAMERA**.

1 Press **MENU** for MENU mode. Press **UP** or **DOWN** to select **PROGRAMMED REC.**

```

--- MENU --- PAGE 1/2
PROGRAMMED REC
DISPLAY : ON
SHUTTER : AUTO
STAND-BY RELEASE : OFF
CLOCK SET
LIGHT MODE : OFF/ON
SELECT : PUSH UP/DOWN KEY
SET : PUSH DISPLAY KEY
START : PUSH MENU KEY
END : PUSH MENU KEY
    
```

2 Press **DISPLAY**. (Current time is displayed.)
Each additional press of **DISPLAY** increases start time by 30 minutes.

```

START : 10:20PM
REC TIME : 10MIN.
SELECT : PUSH UP/DOWN KEY
SET : PUSH DISPLAY KEY
START : PUSH RECORD KEY
CANCEL : PUSH MENU KEY
10:20:00PM
    
```

3 Press **DOWN** to select **REC TIME**. Press **DISPLAY** repeatedly to select one of the options shown at left.

```

START : 10:20PM
REC TIME : 10MIN.
SELECT : PUSH UP/DOWN KEY
SET : PUSH DISPLAY KEY
START : PUSH RECORD KEY
CANCEL : PUSH MENU KEY
10:20:00PM
    
```

To cancel the setup, press **MENU** twice.

4 Press **RECORD/PAUSE** to place Camcorder in stand-by mode.

```

STAND-BY
START : 10:20PM
REC TIME : 10MIN.
10:20:00PM
JUN 1 2002
    
```

Recording will be done as scheduled.

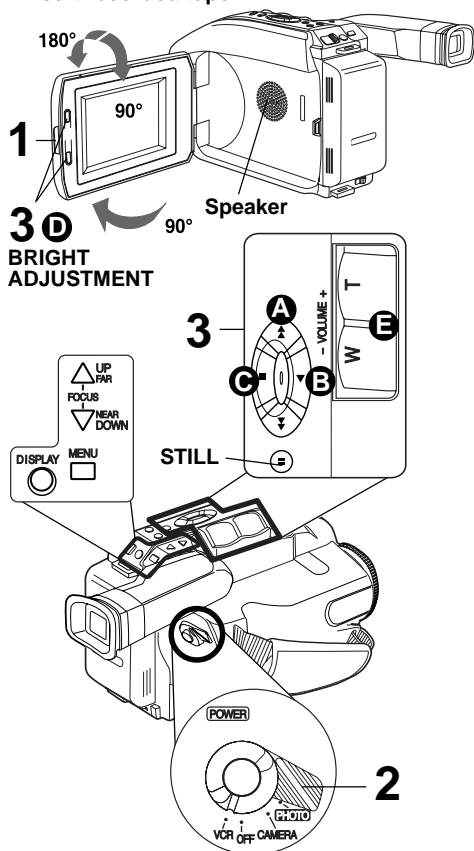
Note:

- Start time may not be set over 24 hours from current time.
- Camcorder shuts off at tape end, or 12 hours after Interval Recording starts.
- To cancel, set **POWER** to **OFF**.

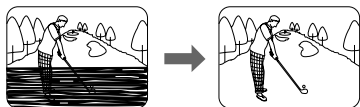
Playing Back Recordings

Before you begin...

- Connect Camcorder to power source.
- Insert recorded tape.



Tracking Control



Auto Tracking

Continuously analyzes each recording for optimum picture quality.

Manual Tracking

Some recordings require manual adjustment to reduce noise.

Press **UP** or **DOWN** until Playback picture clears up.

Press **DISPLAY** to return to Auto Tracking.

20 For assistance, please call : 1-800-211-PANA(7262) or send e-mail to : consumerproducts@panasonic.com

Playback on EVF or LCD Monitor

- 1** Press **LCD-OPEN** and swing LCD monitor fully open.
 - If you want to playback on EVF, close and lock LCD monitor.
- 2** Set **POWER** to **VCR**.
 - If tape has no record tab, auto playback begins.
 - EVF or LCD monitor turns on/off by the **POWER** switch.
 - EVF shuts off when LCD monitor is opened and turns back on when LCD is closed (Color EVF model only).
- 3** Playback function buttons.
 - A** **REW** : Rewind tape.
 - B** **PLAY** : Play tape.
 - C** **STOP** : Stop tape.
 - D** **BRIGHT** : Adjust LCD monitor brightness.
 - E** **VOLUME** : During playback, adjust volume of speaker.

Press "T" : Volume up (+).

Press "W" : Volume down (-).

VOLUME [-] | | | | | | | | | | []

Note:

- Using LCD monitor reduces battery operating time. Return LCD monitor to locked position when not in use.

Special Effects

Quick Visual Search

Search Speed

- SP (Standard Play) : 3 times normal.
- SLP (Super Long Play) : 9 times normal.

During playback, press:

- **FF** : fast forward search
 - **REW** : rewind search
- Press again or press **PLAY** for normal play.

Still Picture

Press **STILL** to freeze picture.

Press again for normal play.

This feature works best in SLP mode (page 11).

Note:

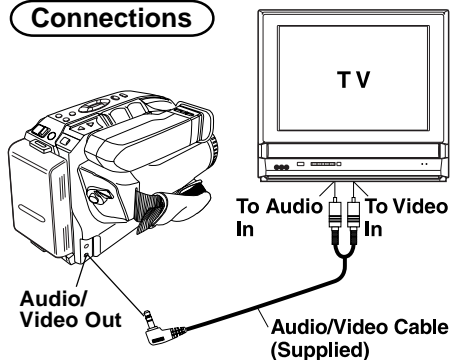
- During search, horizontal noise bars will appear. Audio is muted.
- To protect video heads and tape, operating modes will revert as follows after 5 minutes:
Still → Stand-by
Stand-by → Power off (when Battery Pack is used).
- Tape auto-rewinds if played or fast forwarded to end.

Playing Back Recordings

TV Playback or Viewing

Connect Camcorder to a TV to view playback or recordings in progress.

Connections



Before you begin...

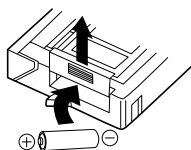
- Connect Camcorder to power source.
- Make all TV-Camcorder connections.

- 1** Set **POWER** to:
VCR → view playback.
CAMERA → view picture as it is recorded.
- 2** Turn TV **ON** and set to **LINE INPUT**. See TV owner's manual.
- 3** Begin playback or recording.

Basic Operation

VCR Playback using PlayPak

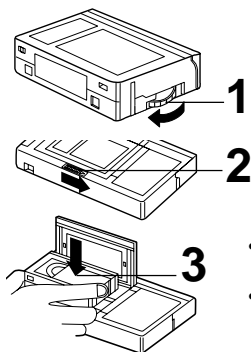
Load Battery in PlayPak



Remove Battery lid and insert AA battery.

- Do not reverse polarity.
- Replace battery when tape loading/unloading takes longer than usual.

Insert **VHS** Cassette in PlayPak

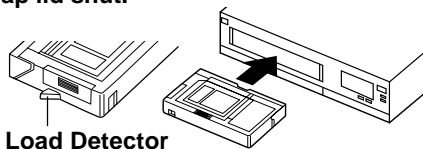


1 Turn **VHS** cassette **Tape Wheel** in direction of arrow to take up any slack.

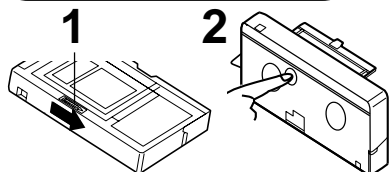
2 Slide **RELEASE** to open cassette lid.

3 Insert the **VHS** cassette with the window up and on the left, then snap lid shut.

- Do not obstruct cassette reel while loading.
- Allow PlayPak Load Detector to fully retract before using in VHS VCR.



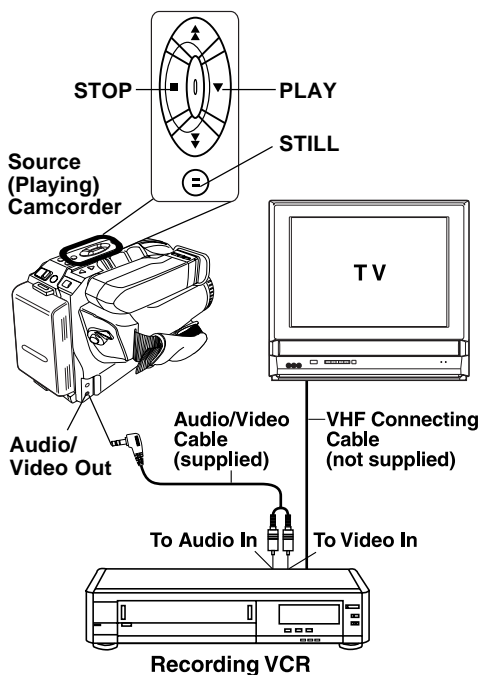
Remove **VHS** Cassette



- 1** Slide **RELEASE** and wait for lid to open.
- 2** Push cassette out through hole in bottom of PlayPak with your finger.

Copying your Tapes (dubbing)

Connections



Before you begin...

- Make Camcorder-VCR connections (see left).
- Turn both units on.
- Set VCR input signal to **LINE**.
Please see VCR owner's manual.
- Set Camcorder **POWER** to **VCR**.

- 1** Insert a pre-recorded tape into Camcorder and a blank tape with record tab into VCR.
- 2** Press PLAY on Camcorder, then press STILL at starting point.
- 3** Press REC, then STILL/PAUSE on VCR.
- 4** Press STILL on Camcorder and STILL/PAUSE on VCR to start copying.
- 5** Press STOP on both units to stop copying.

Note:

- Camcorder will only playback tapes recorded in SP or SLP mode.
- Dubbing may reduce picture quality.

CAUTION:

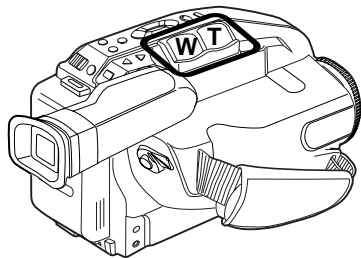
Unauthorized exchanging and/or copying of copyrighted recordings may be copyright infringement.

Monitor with your TV

- Turn TV on and tune to VCR channel (CH3 or CH4).
- Set TV/VCR Selector on VCR to VCR.

Four-Speed Power Zoom

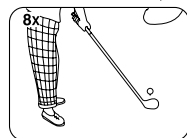
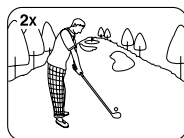
Zoom in (close up) and out (wide angle) in one of four speeds ranging from slow (16 seconds) to fast (2 seconds).



Before you begin...

- Connect Camcorder to power source.
- Set POWER to CAMERA.

Zoom In ("T")



Zoom Out ("W")

• Zoom slowly:

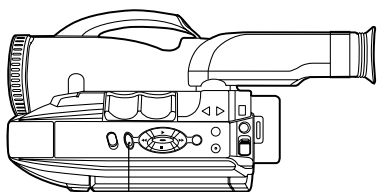
Lightly press "T" (telephoto) or "W" (wide angle) POWER ZOOM button.

• Zoom quickly:

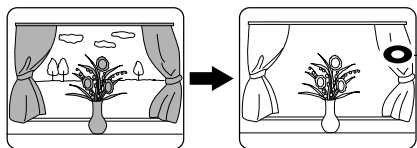
Apply more pressure to the button.

Backlight

Use when subject is darker than surroundings, in shadowed area, or in front of the light source.



B.LIGHT



Press B.LIGHT.

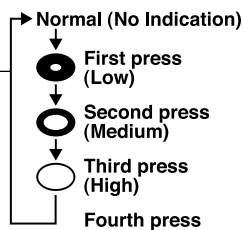
Before you begin...

- Connect Camcorder to power source.
- Set POWER to CAMERA.

Press **B.LIGHT** while recording to select the level of backlight compensation.

In normal lighting, press **B.LIGHT** repeatedly until no indicator is displayed.

EVF or LCD Monitor

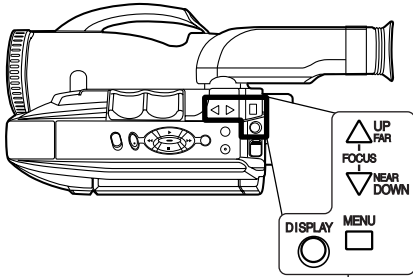


MagicPix™ Images

Color recording of video onto a tape in low lighting.

Before you begin...

- Connect Camcorder to power source.
- Set POWER to CAMERA.



1, 2, 3

- 1 Press **MENU** for MENU mode.
Press **UP** or **DOWN** to select **MAGICPIX**.

▲	PAGE 2/2
SELF DEMO	: OFF
DIGITAL WIPE	: OFF
MAGICPIX	: OFF
MOTION SENSOR	: OFF
VIDEO EFFECTS	: FADE BLACK
SELECT :	PUSH UP/DOWN KEY
SET :	PUSH DISPLAY KEY
END :	PUSH MENU KEY

- 2 Press **DISPLAY** to select ON.
- 3 Press **MENU** to exit.

Note:

- If MagicPix is turned on, Shutter feature is disabled.
- MagicPix cannot be used with capture images on the Memory Card (page 35).
- Only Manual Focus is available.

Before you begin...

- Connect Camcorder to power source.
- Set POWER to CAMERA.

Auto Focus

Camcorder automatically focuses on subject even during zooming.

Auto Focus is on when “MF” is not displayed in EVF or LCD monitor.

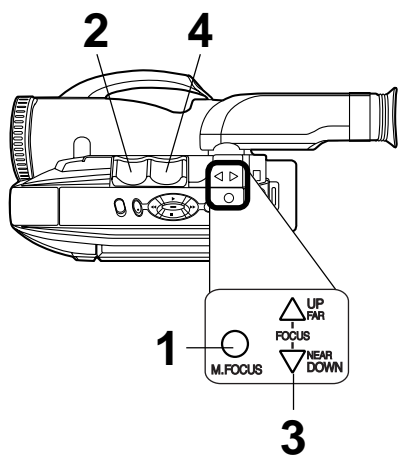
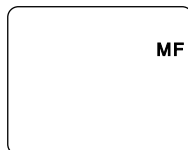
Press **M.FOCUS** to remove “MF” in EVF or LCD monitor if necessary.

Manual Focus

Use Manual Focus (MF) when :

- recording through glass.
- lighting is poor.
- subject is far away with objects in foreground.
- subject has distinct horizontal lines.
- subject is not centered in EVF or LCD monitor.
- subject has a shiny surface.
- subject is slanted.
- subject is bright and flat, like a white wall.
- subject has fast motion, like a golf swing.

EVF or LCD Monitor



1 Press **M.FOCUS** so “MF” (Manual Focus) appears in EVF or LCD monitor.

2 Hold down “**T**” (**telephoto**) on **POWER ZOOM** to maximum zoom in.

3 Press **UP (FAR)** or **DOWN (NEAR)** until subject is in focus.
• Back away from subject if necessary.

4 Hold down “**W**” (**wide angle**) on **POWER ZOOM** as desired.

• **Refocus as needed** when aiming at new scenes.

Macro Focus (close-ups)

Auto Focus functions up to 12.7 mm (1/2 inch) from subject.

Hold down “**W**” on **POWER ZOOM** to maximum wide angle.

Bring Camcorder up close to the subject.

High Speed Shutter

Improves Still or Slow Motion playback picture of high speed subjects (e.g. a tennis stroke), when viewed on Camcorder or 3 or 4 head VCR.

Before you begin...

- Connect Camcorder to power source.
- Insert cassette with record tab (page 11).
- Set POWER to CAMERA.

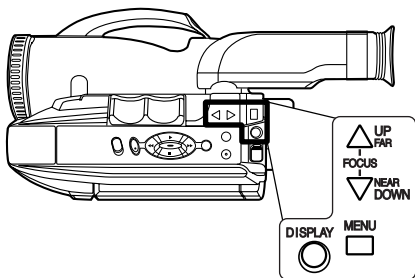
Auto Shutter

In AUTO mode (no indication in EVF or LCD Monitor), shutter speed is auto-adjusted from 1/60 to 1/350 according to subject brightness.

- AUTO mode is selected each time POWER is set to CAMERA.

Manual Selection

The faster the shutter speed, the more light is needed for proper picture and color quality. High Speed Shutter indication flashes if light is inadequate. Provide additional light.



1, 2, 3

1 Press **MENU** for MENU mode.
Press **UP** or **DOWN** to select **SHUTTER**.

2 Press **DISPLAY** repeatedly to select shutter speed.

```
--- MENU --- PAGE 1/2
PROGRAMMED REC
DISPLAY      : ON
STILL/STILL : AUTO
STAND-BY RELEASE : OFF
CLOCK SET
LIGHT MODE  : OFF/ON
↓
SELECT: PUSH UP/DOWN KEY
SET     : PUSH DISPLAY KEY
END     : PUSH MENU KEY
```

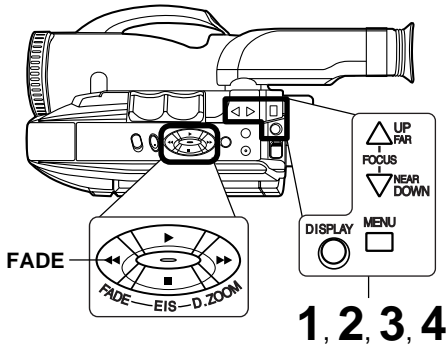
→ AUTO → 1/60 → 1/100 → 1/250 → 1/500
← 1/10000 ← 1/4000 ← 1/2000 ← 1/1000 ←

3 Press **MENU** to exit.

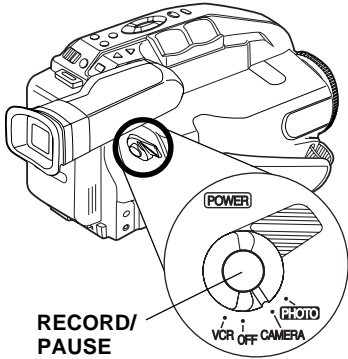
Note:

- Shutter speed cannot be set to 1/60 if Digital E.I.S. feature is set to ON.
- Provide additional halogen or tungsten light for use indoors or in poor light. Fluorescent light degrades picture.
- Auto Focus may not function properly if high speed shutter is used in inadequate light.
- Setting reverts to AUTO each time POWER is set to CAMERA.

An interesting way to open and close scenes.



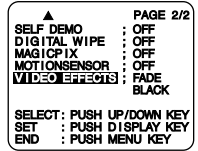
1, 2, 3, 4



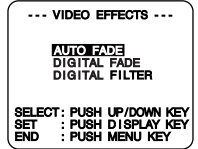
Before you begin...

- Connect Camcorder to power source.
- Set POWER to CAMERA.

1 Press **MENU** for MENU mode.
Press **UP** or **DOWN** to select **VIDEO EFFECTS**.



2 Press **DISPLAY** for VIDEO EFFECTS menu. Press **UP** or **DOWN** to select **AUTO FADE**.



3 Press **DISPLAY** for AUTO FADE ; COLOR menu. Press **UP** or **DOWN** to select BLACK or WHITE.



4 Press **DISPLAY** to confirm entry.
Press **MENU** to exit.

Fade In:

In **RECORD/PAUSE** mode, press **FADE** so "FADE" flashes in EVF or LCD monitor.

Press **RECORD/PAUSE**.

Recording starts as picture and sound gradually fade in.

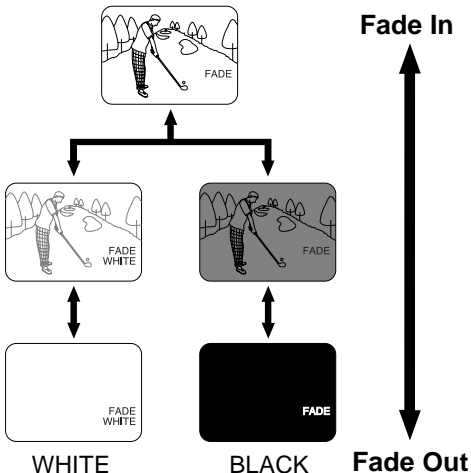
Fade Out:

While recording, press **FADE** so "FADE" flashes in EVF or LCD monitor.

Press **RECORD/PAUSE**.

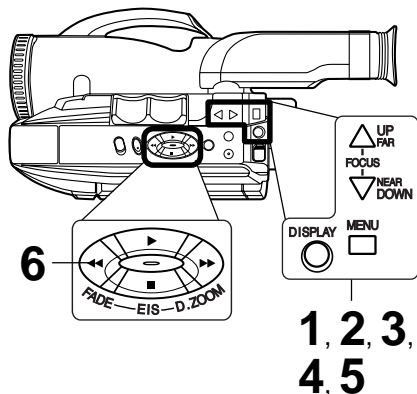
Picture and sound gradually fade out, and recording is paused.

If **FADE** is pressed accidentally, press again so "FADE" disappears in EVF or LCD monitor.



Color Digital Fade

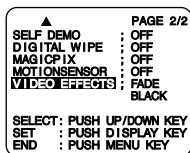
Choose from 7 fade effects in 8 different colors.



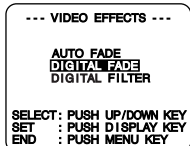
Before you begin...

- Connect Camcorder to power source.
- Set POWER to CAMERA.

1 Press **MENU** for MENU mode.
Press **UP** or **DOWN** to select **VIDEO EFFECTS**.

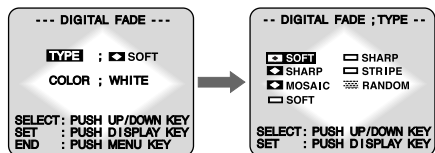


2 Press **DISPLAY** for VIDEO EFFECTS menu.
Press **DOWN** to select **DIGITAL FADE**.



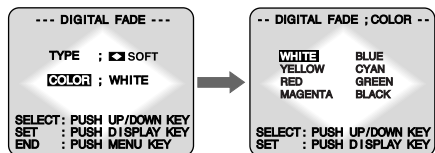
3 Press **DISPLAY** for DIGITAL FADE menu.
Press **UP** or **DOWN** to select **TYPE**.
Press **DISPLAY** for TYPE menu.
Press **UP** or **DOWN** to select from 7 different types of fades.

- A preview of each fade type is displayed as it is selected.



4 Press **DISPLAY** for DIGITAL FADE menu.
Press **DOWN** to select **COLOR**.
Press **DISPLAY** for COLOR menu.
Press **UP** or **DOWN** to select from 8 colors.

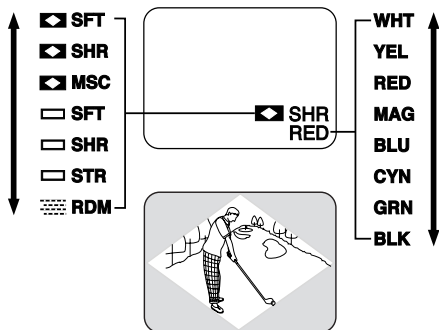
- A preview of each color is displayed as it is selected.



5 Press **DISPLAY** to confirm entry.
Press **MENU** twice to exit.

6 Press **FADE** for about 2 seconds to fade out during recording (selected fade type flashes). Press **FADE** again to fade in.

EVF or LCD monitor



- For more effects, stop fade in or fade out at any time (except RANDOM mode) by pressing **FADE**. Then, press **FADE** to resume fade.

Note:

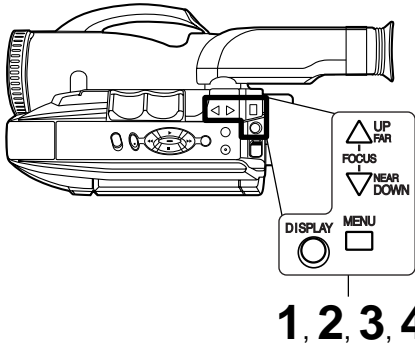
- Audio is not affected by fade.
- To cancel Digital Fade, do steps 1, 2, and 5. In step 2, select AUTO FADE.

Color Digital Filter

Digital Filter adds one of 5 colors to entire picture, like a color filter.

Before you begin...

- Connect Camcorder to power source.
- Set **POWER** to **CAMERA**.



- 1** Press **MENU** for MENU mode.
Press **UP** or **DOWN** to select **VIDEO EFFECTS**.

▲	PAGE 2/2
SELF DEMO	: OFF
DIGITAL WIPE	: OFF
MAGIC PIX	: OFF
MOTION SENSOR	: OFF
VIDEO EFFECTS	: FADE
	: BLACK
SELECT: PUSH UP/DOWN KEY	
SET : PUSH DISPLAY KEY	
END : PUSH MENU KEY	

- 2** Press **DISPLAY** for VIDEO EFFECTS menu. Press **DOWN** to select **DIGITAL FILTER**.

--- VIDEO EFFECTS ---	
AUTO FADE	
DIGITAL FADE	
DIGITAL FILTER	
SELECT: PUSH UP/DOWN KEY	
SET : PUSH DISPLAY KEY	
END : PUSH MENU KEY	

- 3** Press **DISPLAY** for DIGITAL FILTER menu. Press **UP** or **DOWN** to select from 5 colors.

- A preview of each color is displayed as it is selected.

-- DIGITAL FILTER ; COLOR --	
SEPIA	BLUE
YELLOW	GREEN
RED	
SELECT: PUSH UP/DOWN KEY	
SET : PUSH DISPLAY KEY	

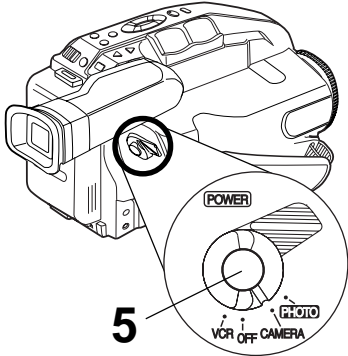
- 4** Press **DISPLAY** to confirm entry. Press **MENU** to exit.

- 5** Start recording (page 17).

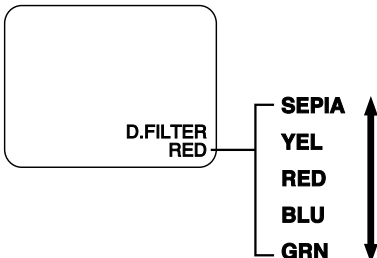
- To cancel Digital Filter, set **POWER** to **OFF**.

Note:

- Color Digital Filter will not function during Still/Strobe/Wide.
- Picture returns to normal in Still mode.



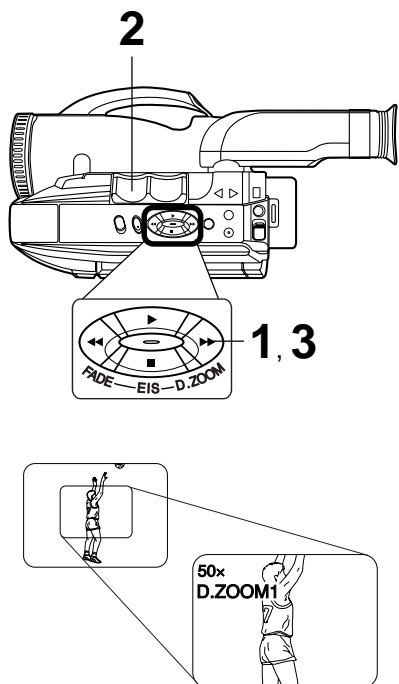
EVF or LCD monitor



Special Features

Digital Zoom

Power Zoom magnification is digitally increased.



Before you begin...

- Connect Camcorder to power source.
- Set **POWER** to **CAMERA**.
- Set **DIGITAL WIPE** to **OFF** in menu.

- 1 Press D. ZOOM.**
once →D.ZOOM 1
(PV-L452/PV-L652: 150x maximum)
twice →D.ZOOM 2
(PV-L452: 750x maximum)
(PV-L652: 800x maximum)

The Higher digital magnification levels may cause picture distortion.

- 2 Hold down "T" on **POWER ZOOM**.**
Digital Zoom starts when normal zoom reaches maximum (20x).
 - Zoom level appears in EVF or LCD monitor.
 - **POWER ZOOM** switch controls digital zoom level.
 - Normal zoom resumes when level falls to 20x.

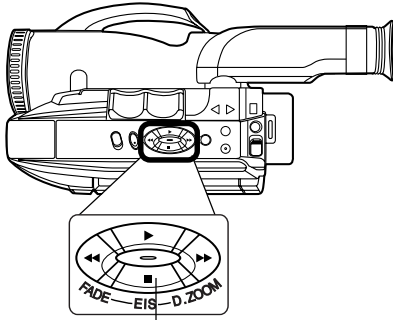
- 3 Press D. ZOOM to turn off Digital Zoom** so no indication appears.

Digital Electronic Image Stabilization (E.I.S.)

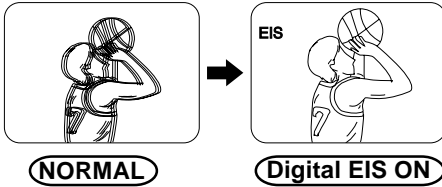
Helps stabilize picture when recording in unstable situations.

Before you begin...

- Connect Camcorder to power source.
- Set POWER to CAMERA.



1, 2



1 Press **EIS** to display "EIS" in the EVF or LCD monitor.

- Image becomes slightly enlarged and shutter speed auto-adjusts from 1/80 to 1/350 according to brightness.
- Use High Speed Shutter (page 26) if needed. Shutter speed setting remains after EIS is canceled.

2 Press **EIS** again to cancel when not in use.

E.I.S. may not function during...

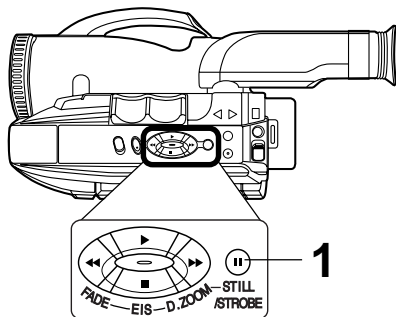
- extreme Camcorder movement.
- recording of subjects with distinct horizontal or vertical stripes.
- low light situations (EIS indicator flashes).
- intense fluorescent lighting situations.
- recording of very fast motion.

Still/ Strobe/ Wide

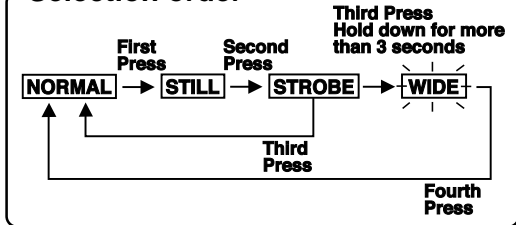
Before you begin...

- Connect Camcorder to power source.
- Set POWER to CAMERA.
- Set DIGITAL WIPE to OFF in menu.

1 Press **STILL/STROBE** repeatedly for desired function as described below.

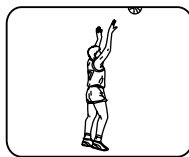


Selection order



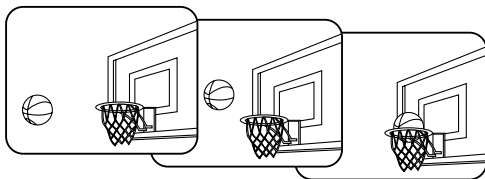
STILL

Records a still image from the current picture.



STROBE

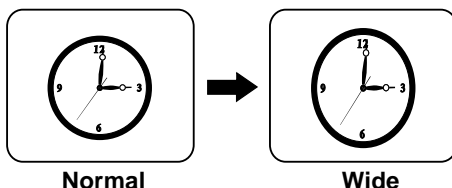
Records a progression of still images in 1/6 of a sec. intervals.



WIDE SCREEN

Records a picture that will fill entire screen of a wide screen (16×9 aspect ratio) TV.

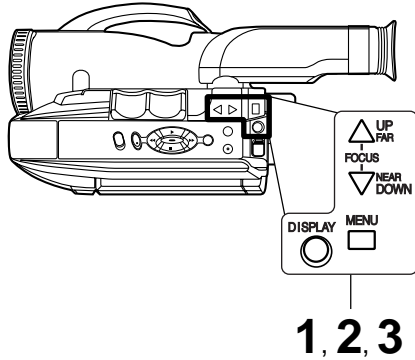
- Picture appears distorted in EVF or LCD monitor.



Note:

- Pressing STILL/STROBE with DIGITAL WIPE set to ON will display "NOW IN DIGITAL WIPE" and Still/ Strobe/Wide feature cannot be used.
- Wide screen recordings must be played back on a wide screen TV (16×9 aspect ratio) or picture will be distorted.

Recording starts automatically if motion is detected.



Before you begin...

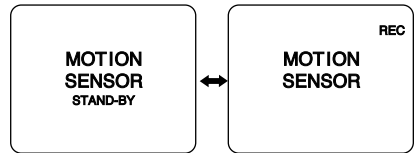
- Connect Camcorder to power source.
Use AC Adaptor for longer recordings.
- Insert cassette with record tab (page 11).
- Set POWER to CAMERA.
- Securely position and aim Camcorder.

- 1 Press **MENU** for MENU mode. Press **UP** or **DOWN** to select **MOTIONSENSOR**.

▲ SELF DEMO	: OFF	PAGE 2/2
DIGITAL WIPE	: OFF	
MAGICPIX	: OFF	
MOTIONSENSOR	: OFF	
VIDEO EFFECTS	: FADE	
	: BLACK	
SELECT :	PUSH UP/DOWN KEY	
SET :	PUSH DISPLAY KEY	
END :	PUSH MENU KEY	

- 2 Press **DISPLAY** to select ON.

- 3 Press **MENU** for MotionSensor stand-by mode. (If cassette is not inserted, "⏏" will flash.)



- Recording will start about 3 seconds after motion is detected.
- Date and time are recorded if displayed in EVF or LCD monitor (page 15).
- Recording stops about 30 seconds after motion ceases.

MotionSensor may mistakenly start when:

- background is plain, like a white wall, or has distinct vertical, horizontal, or slanted stripes, like a venetian blind.
- brightness suddenly changes.

MotionSensor may not start when:

- motion is very slow or fast.
- moving object is very small.
- motion occurs only in 1 corner of viewing area.
- in poor lighting (in this case, MOTIONSENSOR flashes).
- background is plain, like a white wall, or has distinct horizontal or vertical stripes.

To cancel MotionSensor Mode, set **POWER to OFF**.

Note:

- MotionSensor recording starts if Camcorder is bumped or repositioned.
- This feature is not available during normal recording.
- While in MotionSensor stand-by, the following functions are not available: Record/Pause, Stand-by mode, Digital E.I.S., Video Effects (Auto/Digital Fade, Digital Filter).

Digital Still Camera

Memory Card* Insertion/ Removal

Before you begin...

- Connect Camcorder to power source.
- Set **POWER to OFF.**

*Memory Card: MultiMediaCard or SD Memory Card.

Captured images will be stored on the Memory Card.

Be sure to insert the Memory Card before using the Built-in Digital Still Camera.

Listed below are the Memory Cards which can be used with this Camcorder.

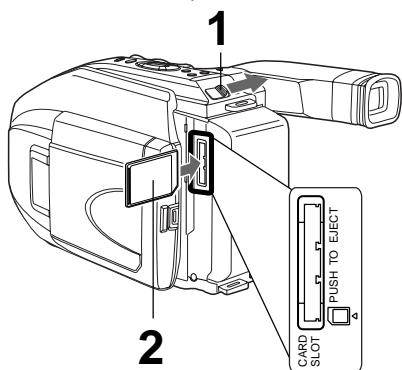
Memory Card	Capacity
Memory Card (LSFT0262) (supplied)	8 MB
MultiMediaCard (SanDisk brand)	8 MB, 16 MB
SD Memory Card (optional) (See page 51.)	16 MB, 32 MB, 64 MB

SD Memory Card write protection switch



A write protection switch is located on the SD Memory Card. Sliding the switch to the "LOCK" position prevents writing on or formatting the card.

Write protection switch



1 Slide TAPE EJECT to open door.

2 Fully insert the Memory Card, with the sloped corner down, into the Card Slot in the direction of the arrow. (See diagram.)

3 Push in on the inserted Card to eject.

Note:

- If Memory Card is not inserted, "NO CARD" appears on-screen.
- Do not insert card in wrong direction. (This would become the basis for trouble.)
- If "CARD ERROR" appears on-screen, see page 56.

Concerning the Memory Card

- Except for some special features, this card is compatible with other Panasonic brand products, like Digital Camera (DMC-LC5, DMC-F7).
- Panasonic only guarantees compatibility with Panasonic brand cards and those bearing the SanDisk logo.
- This Camcorder can capture a maximum of 697 still images because of camera memory capacity.

In order to capture 697 images, a larger Memory Card (optional) with approx. 62 MB of memory is needed for FINE mode and approx. 21 MB is needed for Normal mode.

Cautions for the Memory Card :

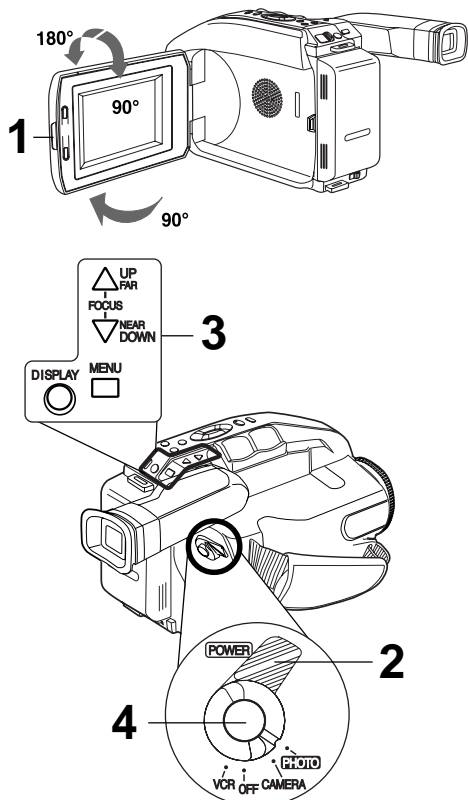
- While Memory Card data is being read, do not remove it, turn off the power, or subject unit to vibrations and shocks.
- Do not leave the Memory Card in a place with high temperature, exposed to direct sunlight, or where electromagnetic waves and static electricity can be generated.
- Electromagnetic waves, static electricity, malfunction of the Camcorder or of the Memory Card itself could erase the data recorded on it. To prevent the loss of picture data, we recommend that you make a backup copy on the computer.
- Do not bend or drop the Memory Card as this could damage it or the captured contents.
- Do not touch the connector on the rear edge of the Memory Card with your fingers, and take care that no dirt, dust or water enters it.
- Do not affix other labels to the Memory Card face or back as Card insertion/removal may become impossible.

Digital Still Camera

Recording

Before you begin...

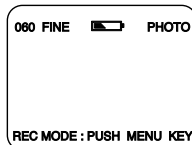
- Connect Camcorder to power source.
- Insert the Memory Card (page 34).



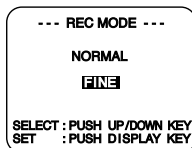
1 Press **LCD-OPEN** and swing LCD monitor fully open. Adjust viewing angle.

2 Set **POWER** to **PHOTO**.

- Be sure **POWER** is fully rotated to **PHOTO** position.

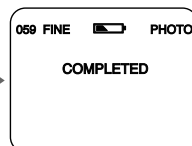
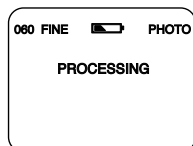


3 Press **MENU** for **REC MODE** menu. Press **UP** or **DOWN** to select **NORMAL** or **FINE** (page 48). Then, press **DISPLAY** to set.



4 Press **RECORD/PAUSE** to capture image.

- As the image is processed, the status screens below appear. The next image may be captured after "COMPLETED" disappears.
- Depending on the image taken, the image page remaining indication may not change, or it may be decreased by 2 images.



- For sharper images, set electronic shutter to higher speed when shooting in bright conditions, such as outdoors.

Note:

- Please note that the included 8 MB Memory Card already contains 12 pre-recorded titles for your use. Please see page 52 for further details.
- If Memory Card is not inserted, "NO CARD" appears on-screen. Set **POWER** to **OFF**, then insert the Memory Card.
- If "CARD ERROR" appears on-screen, see page 56.
- Sound will not be recorded.
- The features below are not available while in **PHOTO** mode.

• Auto Fade	• Digital Fade
• Color Digital Filter	• Digital Zoom
• Digital E.I.S.	• Still/Strobe/Wide
• MotionSensor	
• Digital Wipe Mode	
• Picture in Picture Wipe Title	

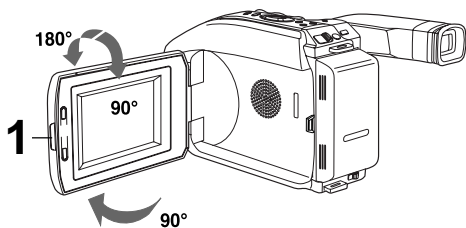
WARNING:

Do not, under any circumstances, remove the card immediately after pressing the **RECORD/PAUSE** (during recording of an image) or while deleting. This could damage the format of the card and make it unusable.

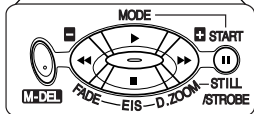
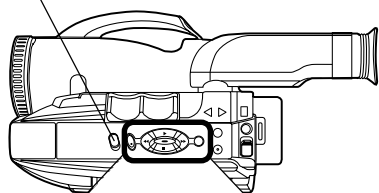
Digital Still Camera

Before you begin...

- Connect Camcorder to power source.
- Insert the Memory Card (page 34).
- Set POWER to PHOTO.



LIGHT



Note:

- If Memory Card is not inserted, "NO CARD" appears on-screen. Set Power to OFF, then insert the Memory Card.
- Pictures captured with other brand products cannot be used with this Camcorder.
- If "INCOMPATIBLE IMAGE" appears on-screen, the size of the captured image cannot be played back on this Camcorder.
- Do not change POWER setting to CAMERA or change recording mode while "PLEASE WAIT" is displayed.
- If "CARD ERROR" appears on-screen, see page 56.

Using the Light

For capture of still images in dim lighting.

Set LIGHT to AUTO.

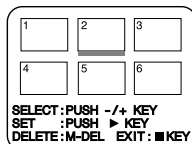
When **RECORD/PAUSE** is pressed to capture an image in dim lighting, the Light comes on for about 2 seconds, the image is captured, then the light goes out.

Or, set **LIGHT to ON/OFF** manually.
(See page 16 for further details.)

Playback

1 Press **LCD-OPEN** and swing LCD monitor fully open. Adjust viewing angle.

2 Press **▶ (PLAY)** to play mode.
The Multi Image Playback screen appears. The last captured image screen is underlined.



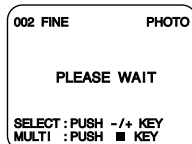
- If there are no recordings on the card, "NO PICTURE" appears on-screen.
- In NORMAL or FINE mode, the color of the Multi Image page number is as follows:

NORMAL mode → green
FINE mode → white

3 Press **+ (FF)** → next.
Press **- (REW)** → previous.

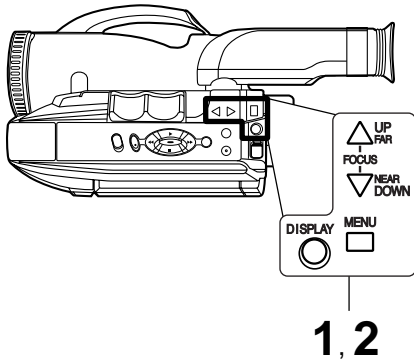
- The selected image will be underlined in green.
- Continue pressing + (FF) or - (REW) for next or previous page.

4 Press **▶ (PLAY)** to display image. This screen appears followed by image.



- Press **DISPLAY** to remove or redisplay this screen.
- Press **■ (STOP)** to redisplay Multi Image playback screen.

Displayed Directory/Image Number

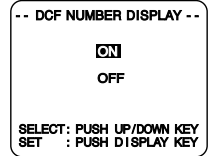


Before you begin...

- Connect Camcorder to power source.
- Insert the Memory Card (page 34).
- Set **POWER** to **PHOTO**.

1 Repeat steps 1 and 2 on page 36 to display Multi Image Playback screen. Select any image and press **▶** (**PLAY**).

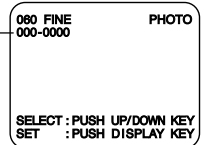
2 Press **MENU** for DCF NUMBER DISPLAY menu. Press **UP** or **DOWN** to select **ON** or **OFF**. Then, press **DISPLAY** to set.



ON → Directory/Image Number is displayed.

OFF → Directory/Image Number is not displayed.

Directory/Image Number



Note:

- Directory/Image Number "xxx-xxxx" (x indicates the number) is assigned automatically.
- Even if **ON** is set, if the Directory/Image Number does not correspond with DCF it is not displayed.
- The Directory/Image Number becomes the folder and file name when viewed with card reader.
- This product is compliant with DCF (Design rule for Camera File System). Images saved on the Memory Card using other Digital Still Cameras that are compliant with DCF can be viewed on this product.

Digital Still Camera

Delete Specific Images

You can delete unwanted images and increase the remaining image memory.

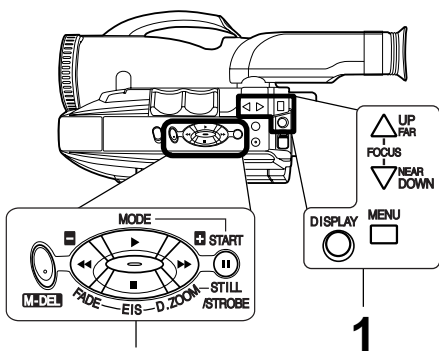
Important :

Once deleted, images cannot be restored.

DELETE PAGE : Deleting Specific Image Pages.

DELETE ALL : Deleting All Image Pages.

FORMAT : Format the Memory Card.



1, 2, 3

1

Note:

- Pictures captured with other brand products cannot be used with this Camcorder.
- If "CARD ERROR" appears on-screen, see page 56.

WARNING :

Do not, under any circumstances, remove the card immediately after pressing the RECORD/PAUSE (during recording of an image) or while deleting. This could damage the format of the card and make it unusable.

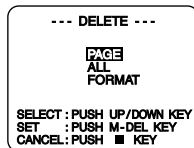
Before you begin...

- Connect Camcorder to power source.
- Insert the Memory Card (page 34).
- Set POWER to PHOTO.
Press ► (PLAY) to play mode.

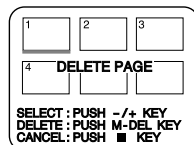
Deleting Specific Image Pages

- 1 Press **M-DEL** for DELETE menu. Press **UP** or **DOWN** to select **PAGE**.

- To exit menu at any time, press STOP.

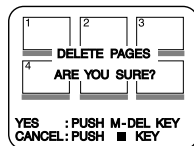


- 2 Press **M-DEL** for Multi Image screen. Press **+** (FF) or **-** (REW) to select image page. Press **M-DEL** to set.



- 3 Press **M-DEL** to delete the page.

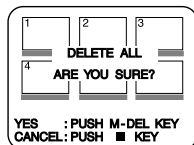
- As image pages are deleted, page numbers adjust automatically.



Deleting All Image Pages

- 1 Do step 1 above, and select **ALL**.

- 2 Press **M-DEL**. The screen right is displayed.



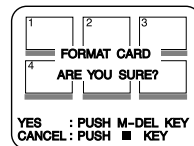
- 3 Press **M-DEL** to delete all pages.

- "NO PICTURE" appears on-screen after deletion.

Format the Memory Card

- 1 Do step 1 above, and select **FORMAT**.

- 2 Press **M-DEL**. The screen right is displayed.

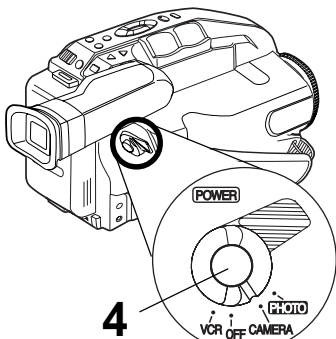
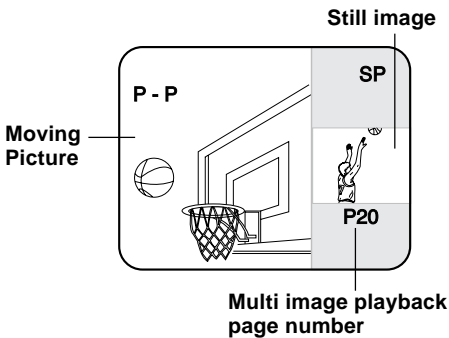
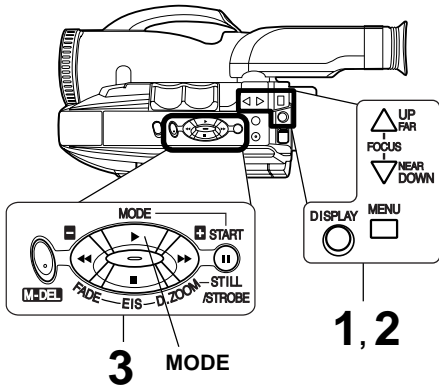


- 3 Press **M-DEL** and all image data is deleted from the Memory Card.

- "NO PICTURE" appears on-screen after deletion.

Picture in Picture Wipe Title

Captured still images (page 35) can be recorded along with the current picture.



Before you begin...

- Connect Camcorder to power source.
- Insert the Memory Card (page 34).
- Set POWER to CAMERA.

(P - P = Picture in Picture)

- 1 Press **MENU** for MENU mode.
Press **UP** or **DOWN** to select **DIGITAL WIPE**.

▲ SELF DEMO	: OFF	PAGE 2/2
DIGITAL WIPE	: OFF	
MAGIC PIX	: OFF	
MOTION SENSOR	: OFF	
VIDEO EFFECTS	: FADE	
	: BLACK	
SELECT : PUSH UP/DOWN KEY		
SET : PUSH DISPLAY KEY		
END : PUSH MENU KEY		

- 2 Press **DISPLAY** to select ON.
Press **MENU** to exit.

- A still image captured on the Memory Card and the Multi image playback page number is displayed on the right side of the screen.
- If there are no recordings on the card, "NO PICTURE" appears on-screen.

- 3 Press **+** (**FF**) or **-** (**REW**) to select still image to be used.

- 4 Start recording (page 17).

- When recording starts, Multi image playback number disappears. Then the captured still images can be recorded along with the current picture.
- To exit from the Picture in Picture Wipe title mode, press **MODE** (page 40).

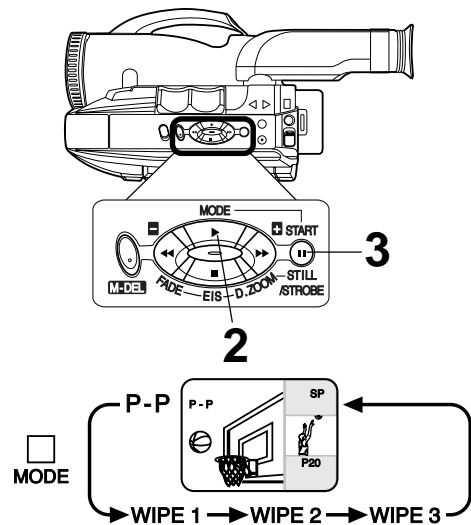
Note:

- If Memory Card is not inserted, "NO CARD" appears on-screen. Set Power to OFF, then insert the Memory Card.
- Pictures captured with other brand products cannot be used with this Camcorder.
- If "INCOMPATIBLE IMAGE" appears on-screen, the size of the captured image cannot be played back on this Camcorder.
- If "CARD ERROR" appears on-screen, see page 56.
- If Picture in Picture Wipe Title is selected, the following functions are not available: MotionSensor, Auto Fade, Digital Fade, Color Digital Filter, Digital Zoom, Digital E.I.S., Still/Strobe/Wide.

Digital Still Camera

Digital Wipe Mode

Insert a captured still image into the current recording, or vice versa, in one of three wipe effects.



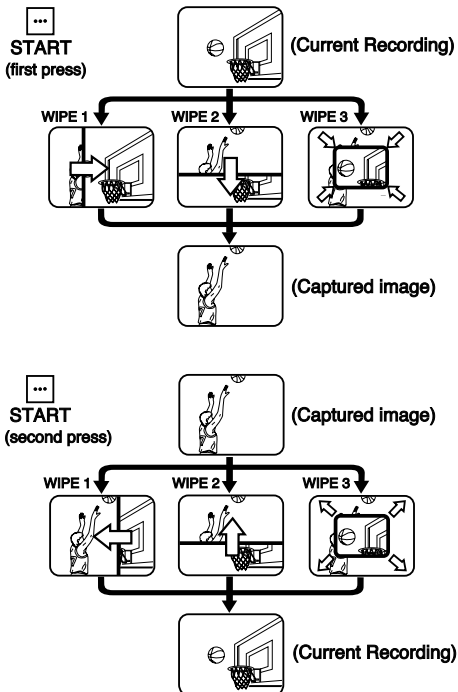
Before you begin...

- Connect Camcorder to power source.
- Insert the Memory Card (page 34).
- Set **POWER** to **CAMERA**.

- 1 Repeat steps 1-3 on page 39 to set Picture in Picture Wipe title.
- 2 Press **MODE** repeatedly for Wipe effect 1, 2, or 3 (See left).
 - **WIPE 1** will flash for a while to store the image for the wipe.
- 3 Press **START**:
 - once** → inserts captured image.
 - twice** → inserts current recording picture.
 - You can freeze the wipe in progress by pressing **START**. Press **START** again to resume wipe.

Note:

- If Memory Card is not inserted, "NO CARD" appears on-screen. Set Power to OFF, then insert the Memory Card.
- Pictures captured with other brand products cannot be used with this Camcorder.
- If "INCOMPATIBLE IMAGE" appears on-screen, the size of the captured image cannot be played back on this Camcorder.
- If "CARD ERROR" appears on-screen, see page 56.
- If Digital Wipe mode is selected, the following functions are not available: MotionSensor, Auto Fade, Digital Fade, Color Digital Filter, Digital Zoom, Digital E.I.S., Still/Strobe/Wide.



Digital PhotoShot Software

A live or captured image can be transferred to your PC (Personal Computer).

System Requirements for Digital PhotoShot

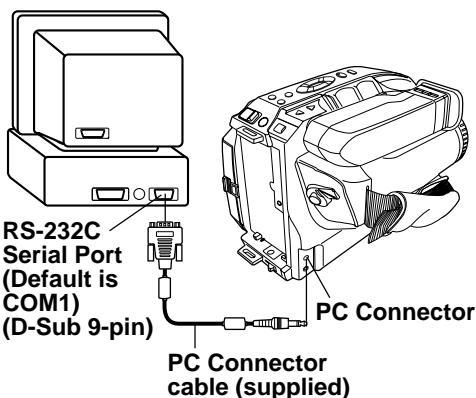
- IBM PC/AT or compatible.
- Intel® Pentium® Processor.
- Microsoft® Windows®95 or Windows®98 or Windows®Me or Windows®2000.
- RAM: 16 MB or more.
- 2 MB of available hard-disk space.
- 256 color monitor (full color recommended).
- 3.5 inch 1.44 MB floppy disk drive (for installation).
- RS-232C serial port (D-Sub 9-pin).
An adaptor (D-Sub 9-pin male to a D-Sub female) is required for a D-Sub 25-pin.
- Mouse or other pointing device.

PC-Camcorder Connection

Connect Camcorder PC jack to the serial port on your PC (Personal Computer) using the supplied PC connector cable. Refer to PC or Windows manual to identify which COM port to be used for connection.

Note:

- Be sure to turn PC off before connection for proper image transfer.
- After Camcorder and PC are connected by starting up the software included, video recording is not possible.

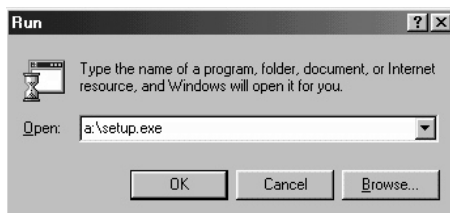


Software Installation (Windows 95/98/Me/2000)

Before you begin...

- Your PC is in the power on mode.

- 1 Turn on PC (Personal Computer) and start up Windows.
- 2 Insert Digital PhotoShot disk (Windows 95/98/Me/2000) into a floppy disk drive.
- 3 Click on Start, then "Run..."
- 4 Type in "a:\setup.exe" and click OK.
 - If your 3.5 inch floppy disk drive is not "A", use appropriate letter.
- 5 Follow instructions as they appear on PC screen until the installation is complete.
 - Setup window will disappear when the installation is complete.



PC Connection

Before you begin...

- Insert the Memory Card (page 34).
- Make Camcorder-PC connections (page 41).
- Turn your PC on.
- Set Camcorder POWER to PHOTO.

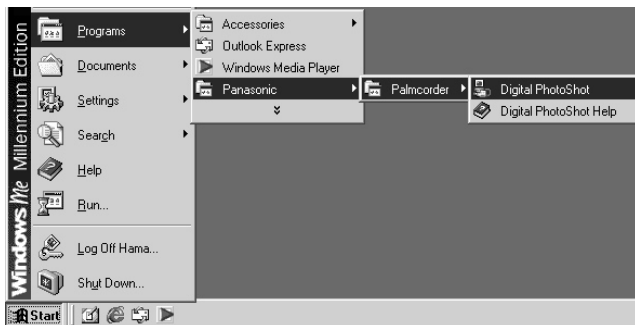
Running the Software (Windows 95/98/Me/2000)

1 Select Programs/
Panasonic/Palmcorder/
Digital PhotoShot from
the Start menu.

2 "Digital PhotoShot" is
opened.

Note:

- COM Port and Baudrate are automatically selected.



Refer to Help for information about application
operation and other Error messages.

Using Live Image Data

You can capture the current Camcorder
picture to your PC.

1 Repeat steps 1 and 2 on above to run
the Software.

2 Click on "Window," then select
"1 Live image Window."

3 Click on "Preview," then Click on
"Capture."
• Repeat this step to decide on an image.
• Captured image is transferred to your
PC when you click on "Capture".

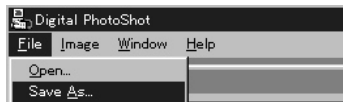
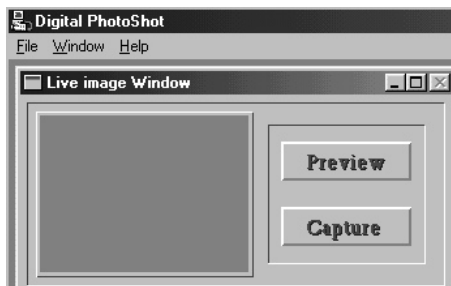
4 Click on "Window," then select
"Live photo Zoom In."

5 Click on "File," then select "Save As."
• Captured image is stored to your PC.

Note:

- If, while transferring the image to your PC,
the displayed picture appears abnormal,
restart the PC application and turn
Camcorder POWER off, and then back on.

42 For assistance, please call : 1-800-211-PANA(7262) or send e-mail to : consumerproducts@panasonic.com



Before you begin...

- Insert the Memory Card (page 34).
- Make Camcorder-PC connections (page 41).
- Turn your PC on.
- Set Camcorder POWER to PHOTO.

Using Memory Card Image Data

Pictures captured with your Camcorder can be transferred to your PC.

1 Repeat steps 1 and 2 on page 42 to run the Software.

2 “Preview Window” screen appears.

3 Select the image data you want to transfer to your PC.
• The selected image will be underlined in green.

4 Click on:
Transfer
• The picture image is transferred to your PC and displayed.
Delete
• The picture image is deleted.
Save...
• The picture image is transferred to your PC and displayed. Save window appears.



Note:

- If, while transferring the image to your PC, the displayed picture appears abnormal, restart the PC application and turn Camcorder POWER off, and then back on.

Using PC Image Data

You can use JPEG or Bitmap files from your PC for Picture in Picture Wipe Title and Digital Wipe by transferring them to the Camcorder using the Digital PhotoShot Software.

1 Repeat steps 1 and 2 on page 42 to run the Software.

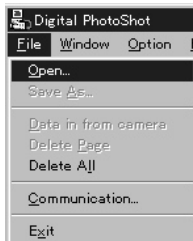
2 Click on “**Window**,” then select “**2 Preview Window**.”

3 Click on “**File**,” then Click on “**Open**.”
• At your PC, please select and open the data you want to transfer to the Camcorder.

Note:

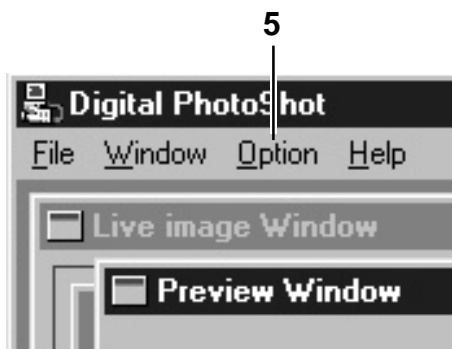
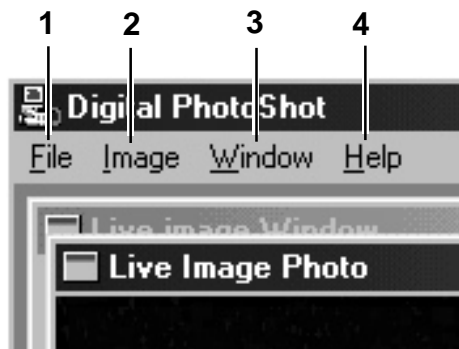
- When transferring image data larger than VGA size (640x480) from the PC to the Camcorder, the perimeter of the image is cropped to VGA size.

4 Click on “**File**,” then select “**Data out to camera**,” then select **Fine** or **Normal** mode.
• Your PC image data is transferred to the Camcorder.



PC Connection

Driver Quick Reference



1 File

- **Open...**
To open an existing image (Bitmap or JPEG).
- **Save As**
To save the active image file under a new file name while preserving the original file.
- **Data in from CAMERA**
To display a dialog box listing all images in the Card memory along with Preview, Transfer, Delete, etc. commands.
- **Delete Page**
To delete the selected image from the Card memory.
- **Delete All**
To delete all images from the Card memory.
- **Communication**
To specify the port to which the Camcorder is connected.
- **Print...**
To print the currently active image.
- **Exit**
To quit the "Digital PhotoShot" application.

2 Image

- **Image Adjustment**
To modify the captured image as desired.
- **Copy to Clipboard**
To copy a view image to clipboard.

3 Window

- **Close Image**
Select "Close image" to close all view windows.
- **Live Photo Zoom In**
To open a view window.

4 Help

- **Help**
To display the Help screen.
- **About**
To display software version information.

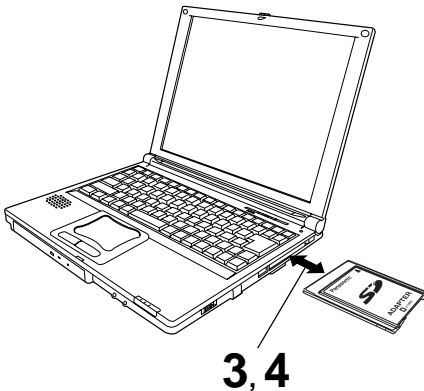
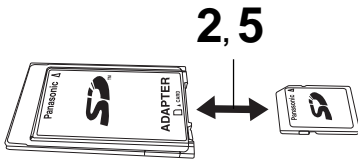
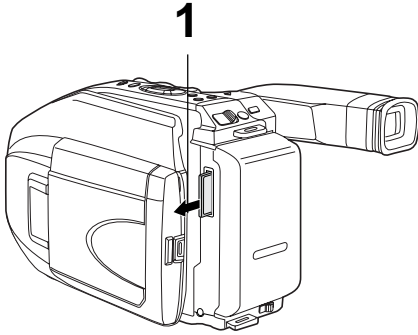
5 Option

- **Reload**
To load the picture from the Camcorder to your PC again when Camcorder Memory Card was changed.

Using a SD PCMCIA Adaptor (optional)

If your PC has a PCMCIA type II slot, you can insert the Memory Card into a SD PCMCIA adaptor (optional, page 51) to transfer images, captured with this Camcorder only, to your PC.

Inserting a Memory Card



Before you begin...

- Turn your PC on.
- Set Camcorder POWER to OFF.

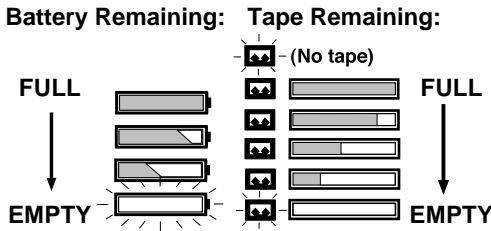
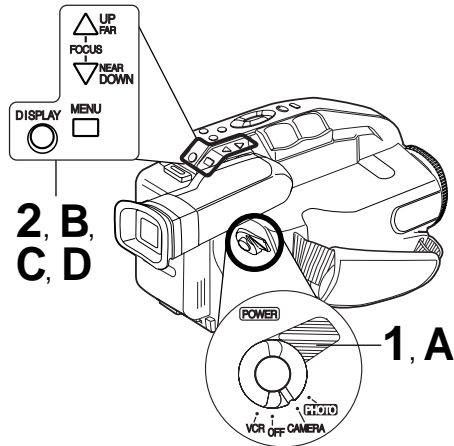
- 1** Remove the **Memory Card** from the Camcorder (page 34).
- 2** Hold the **Memory Card** so that the arrow side faces up and points toward the **SD PCMCIA Adaptor**. Securely insert the card into the SD PCMCIA Adaptor slot as far as it will go.
- 3** Hold the **SD PCMCIA Adaptor** so that the arrow side points toward the PCMCIA type II slot of **your PC (Personal Computer)**. Securely insert the SD PCMCIA Adaptor as far as it will go.
 - Depending on the PC, it may be necessary to turn the SD PCMCIA Adaptor upside down in order to insert the card.
- 4** To remove, push the eject button on your PC (may vary by machine) and pull the **SD PCMCIA Adaptor** out until it is no longer inserted in the **PC (Personal Computer)**.
- 5** Pull the **Memory Card** out of the **SD PCMCIA Adaptor**.

Note:

- Do not remove the SD PCMCIA Adaptor from the PC while the PC is working or while image data is being transferred between the Memory Card and the PC (including operation such as opening and storing images), this will cause irreversible damage to the memory.
- If you change file name or folder in the memory card, the images will be displayed properly on PHOTO mode.
- If your PC does not have a PCMCIA type II slot but has a USB port, you can use the optional SD USB Reader/Writer (optional, see page 51).
Please carefully read the Operating Instructions that come with the SD USB Reader/Writer before using.

Viewfinder/LCD Monitor Indications

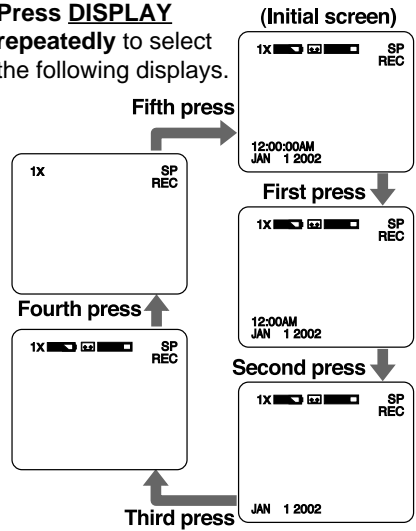
Tape remaining and battery charge level can be displayed.



Before you begin...

- Connect Camcorder to power source.

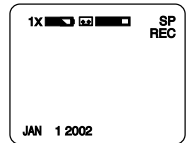
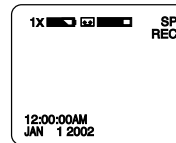
- 1** Set **POWER** to **CAMERA**.
- 2** Press **DISPLAY** repeatedly to select the following displays.



- Tape remaining indicator operates a few seconds after tape starts moving.

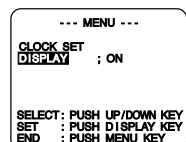
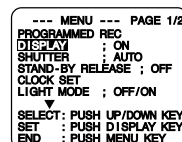
Recording the Date and Time

- Do steps 1 and 2 above to select time/date, date only, or no display.
- Start a recording (page 17).
 - Only the Date and/or Time are recorded.



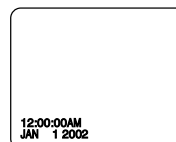
Display-Off Mode

- Set **POWER** to **CAMERA** or **VCR**.
- Press **MENU** for MENU mode. Press **UP** or **DOWN** to select **DISPLAY**.
- Press **DISPLAY** to select OFF. Press **MENU** to exit.
- Press **DISPLAY** repeatedly to remove time/date.



[CAMERA MODE]

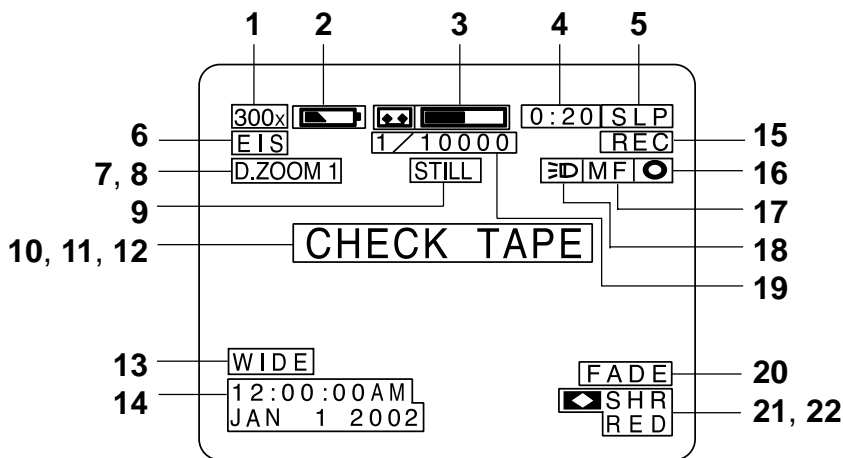
[VCR MODE]

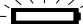


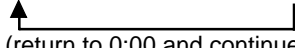


Indications are restored the next time Camcorder is turned on.

Viewfinder/LCD Monitor Indications

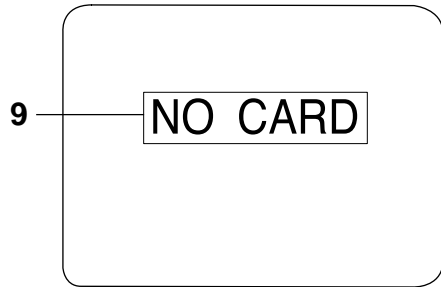
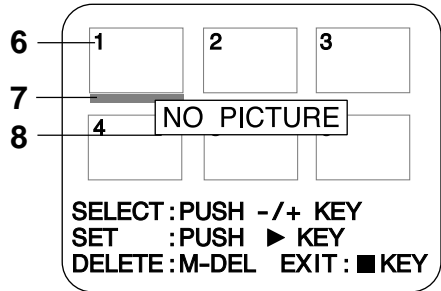
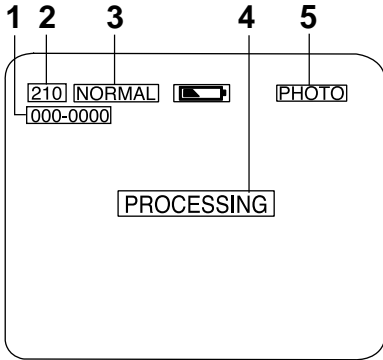
CAMERA/VCR mode



- 1 Zoom Magnification level** (pages 23, 30).
- 2 Battery Remaining**  (page 46).
“WARNING LOW BATTERY” appears and Camcorder shuts off after 15 seconds.
- 3 Tape Remaining** (page 46).
“” flashes and “TAPE END” appears for 5 seconds when:
 - End of tape is reached.
- “” flashes 1 minute and “CHECK TAPE” appears for 5 seconds when:
 - RECORD/PAUSE is pressed with no cassette, or cassette has no record tab in Camera (RECORD) mode.
 - PLAY, FF or REW is pressed with no cassette inserted in VCR mode.
- 4 10-Second Reminder**
Each time a recording is started, a 10 second incremental display (up to 59:50) lets you monitor how long one scene is recorded.
 0:00 0:10 0:20 59:50

 (return to 0:00 and continue)
- 5 TAPE SPEED** (pages 11, 17).
(SP=standard play, SLP=super long play).
- 6 Digital E.I.S.** (page 31).
- 7 Digital Zoom** (page 30).
- 8 Digital Wipe** (pages 39, 40).
- 9 Still/Strobe** (page 32).
- 10 VCR-MODE**
“VCR-MODE” appears 1 minute when POWER is set to VCR or if RECORD/PAUSE is pressed in VCR mode.
- 11 DEW**
If moisture condensation occurs in unit, “WARNING DEW DETECTED” appears, and Camcorder will shut off in 15 seconds. Wait until “WARNING” no longer indicates when Camcorder is turned on to use.
- 12 MotionSensor** (page 33).
- 13 Wide Screen** (page 32).
- 14 Date and Time** (pages 14, 15).
- 15 Operating Mode**
 - REC (record)
 - PAUSE
 - FF (fast forward)
 - PLAY
 - REW (rewind)
- 16 Backlight** (page 23).
- 17 Manual Focus** (page 25).
- 18 Light ON/OFF/AUTO** (page 16).
- 19 High Speed Shutter** (page 26).
- 20 Fade** (page 27).
- 21 Color Digital Fade** (page 28).
- 22 Color Digital Filter** (page 29).

Viewfinder/LCD Monitor Indications

PHOTO mode



- 1 Directory/Image Number** (page 37)
- 2 Image Page Remaining Indication** (page 35)
 - Image pages left in selected mode. "000" flashes when memory is full.
 - Memory capacity provided all pictures are taken in the same mode:
 - "NORMAL" mode → Approx 210 images (Supplied 8 MB Memory Card)
 - "FINE" mode → Approx 60 images (Supplied 8 MB Memory Card)
- 3 REC MODE**
 - NORMAL or FINE mode.
 - Image Size :
 - "NORMAL" mode → 320 x 240 pixels.
 - "FINE" mode → 640 x 480 pixels.
- 4 Image Status Indication**

Image status is displayed when captured.

PROCESSING:

Image is being processed.

Note: Do not change setting to CAMERA or change recording mode while "PROCESSING" is displayed.

COMPLETED:

Image processing is completed.

The next image may be captured when "COMPLETED" disappears.

PLEASE WAIT:

Displayed when image is selected from Multi Image Playback screen.

Note: Do not change POWER setting to CAMERA or change recording mode while "PLEASE WAIT" is displayed.

5 Recording Mode

- POWER is set to PHOTO.

- 6 Multi Image Playback page number.**
- 7 Currently selected image is underlined in green or white.**
 - "NORMAL" mode → green
 - "FINE" mode → white
- 8 Image Status Indication**

NO PICTURE:

No image is captured, all images are deleted from card.

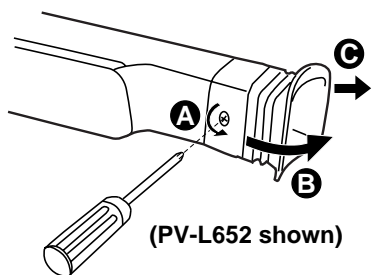
9 MEMORY CARD Indication

When the Memory Card is not inserted in CAMERA or PHOTO mode, "NO CARD" appears.

If the Memory Card is defective, "CARD ERROR" appears.

Cleaning EVF (Electronic Viewer Finder)

To Remove



- 1** **A** Remove the screw with a Phillips screwdriver.
Turn counterclockwise.
B Turn the EVF Eyepiece.
C Pull the EVF Eyepiece.
- 2** Remove any lint or dust particles with a soft clean cloth being careful not to scratch the glass surfaces.
- 3** Replace the EVF Eyepiece and the screw.

Notice

For model PV-L452

This product utilizes both a Cathode Ray Tube (CRT) and other components that contain lead. It also has a fluorescent lamp containing a small amount of mercury. Disposal of these materials may be regulated in your community due to environmental considerations. For disposal or recycling information please contact your local authorities, or the Electronics Industries Alliance: <<http://www.eiae.org>>

For model PV-L652

This product has a fluorescent lamp that contains a small amount of mercury. It also contains lead in some components. Disposal of these materials may be regulated in your community due to environmental considerations. For disposal or recycling information please contact your local authorities, or the Electronics Industries Alliance: <<http://www.eiae.org>>

ATTENTION :



A nickel cadmium battery that is recyclable powers the product you have purchased. At the end of its useful life, under various state and local laws, it is illegal to dispose of this battery into your municipal waste stream. Please call 1-800-8-BATTERY for information on how to recycle this battery.

Replacing Clock Battery

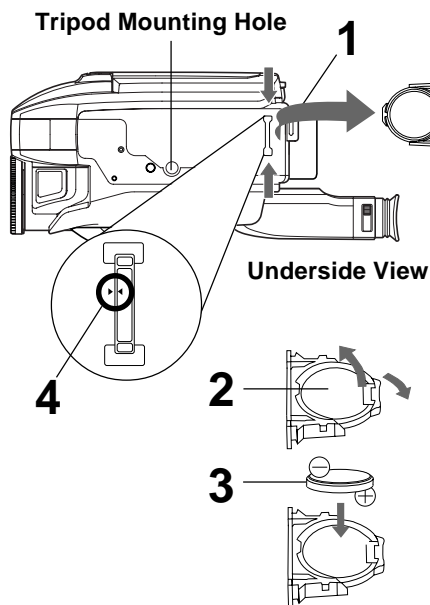
The clock battery is pre-installed. Follow the steps below if replacement becomes necessary.

WARNING:

Replace battery with Panasonic PART NO. VSBW0004 (CR2025) only. Use of another battery may present a risk of fire or explosion.

Caution: Battery may explode if mistreated. Dispose of used battery promptly. Keep away from children. Do not recharge, disassemble or dispose of in fire.

Clock Battery



- 1** While pinching the 2 tabs, pull Battery Tray out.
- 2** Bend middle tab out and remove Battery.
- 3** Snap new Battery (⊕ mark down) into Battery Tray.
 - Do not reverse the polarity.
- 4** Insert Battery Tray so the triangle marks meet.


Note:

- Keep Battery out of children's reach. Swallowing it may be harmful.
- Improper installation, discharge, or missing battery causes "CLOCK BATTERY" to appear when DISPLAY is pressed.
- Battery life is approximately 5 years.

Palmcorder Accessory System

To order instructions, see the Accessory Order Form page.

- The listed standard battery use times are based on continuous recording using this Palmcorder.

Accessory #	Figure	Description	Price
PV-A19		AC Adaptor with DC Power Cable (Charging of the Nickel Cadmium Battery or Nickel Metal Hydride Battery)	Call For Pricing
PV-A20		AC Adaptor with DC Power Cable (Charging of the Nickel Cadmium Battery or Nickel Metal Hydride Battery)	Call For Pricing
HHR-V60A/1B		Up to 6 hr Battery Pack (Rechargeable Nickel Metal Hydride Battery)	\$119.95
HHR-V40A/1B		Up to 4 hr Battery Pack (Rechargeable Nickel Metal Hydride Battery)	\$69.95
HHR-V20A/1B		Up to 2 hr Battery Pack (Rechargeable Nickel Metal Hydride Battery)	\$59.95
PV-AA6		"AA" Battery Case	\$20.00
PV-C16		Car Battery Cord	\$70.00
PV-P1		VHS PlayPak	\$39.95
PV-H18A		Soft Sided	\$49.95
RP-SD064BPPA RP-SD032BPPA RP-SD016BPPA		64 MB SD Memory Card 32 MB SD Memory Card 16 MB SD Memory Card	Call For Pricing
BN-SDCAPE/1B		USB Reader/Writer for SD Memory Card (compatible with MultiMediaCard)	\$79.95
BN-SDABPE/1B		SD PCMCIA Adaptor (compatible with MultiMediaCard)	\$79.95

Note:

- Prices subject to change without notice.

For Your Information

Palmcorder Accessory System

Concerning the Memory Card (MultiMediaCard and SD Memory Card)

- Model PV-L452/PV-L652 can be used with either a MultiMediaCard or a SD Memory Card.
- Both of these exterior Memory Cards (MultiMediaCard and SD Memory Card) are lightweight and removable.
- Both Memory Cards (MultiMediaCard and SD Memory Card) are offered in a variety of memory sizes, so you can purchase a higher capacity Memory Card if desired.

Pre-recorded Titles

The supplied Memory Card is prerecorded with the following titles which can be inserted into a recording.



Palmcorder



Anniversary



Happy Birthday



Bon Voyage



Congratulations



Graduation



It's a Girl!



It's a Boy!



Our Wedding



Surprise!



The Wedding



Vacation!

Warning

- Titles can be permanently erased from the Memory Card, e.g. formatting the card or using the delete all images feature (page 38).
- If a title is erased, the remaining title numbers will change.

Palmcorder Accessory Order Form

Please photocopy this form when placing an order.

1. Palmcorder Model # _____

2. Items Ordered

Accessory #	Description	Price Each	Quantity	Total Price
Subtotal				
Your State & Local Sales Tax				
Shipping & Handling				6.95
Total Enclosed				

3. Method of payment (check one)

- Check or Money Order enclosed (NO C.O.D.SHIPMENTS)
- VISA Credit Card # _____
- MasterCard Expiration Date _____
- Discover Customer Signature _____

Make Check or Money Order to: PANASONIC ACCESSORIES

(Please do not send cash)

4. Shipping information (UPS delivery requires complete street address)

Ship To:

Mr.

Mrs.

Ms.

First _____ Last _____

Phone #:

Day () _____

Street Address _____

Night () _____

City _____ State _____ Zip _____

TO OBTAIN ANY OF OUR PALMCORDER ACCESSORIES YOU CAN DO ANY OF THE FOLLOWING:

VISIT YOUR LOCAL PANASONIC DEALER

OR

CALL PANASONIC'S ACCESSORY ORDER LINE AT 1-800-332-5368

[6 AM-5 PM M-F, 6 AM-10:30 AM SAT, PACIFIC TIME]

OR

MAIL THIS ORDER TO: PANASONIC SERVICES COMPANY ACCESSORY

ORDER OFFICE

20421 84th Avenue South Kent, WA. 98032

For Your Information

Specifications

Power Source:	Compact VHS Camcorder: DC 6 V AC Adaptor: 110/120/220/240 V AC, 50/60 Hz Battery: Nickel-Cadmium Type DC 6 V
Power Consumption:	Compact VHS Camcorder: 6V DC 8.5 W (Max. 11.5 W) AC Adaptor: 19 W 1.2 W (when not in use.)
Video Signal:	EIA Standard (525 lines, 60 fields) NTSC color signal
Video Recording System:	2 rotary heads plus flying erase head. Helical scanning system
Audio:	1 track
Pick-Up System:	Sequential color difference field reverse system
Pick-Up Device:	One integral color filter Charge Coupled Device (CCD)
Lens:	20:1 zoom lens, F1:1.7 with auto iris control Focal length: 3.8 mm - 76.0 mm 4 speed power zoom function
Viewfinder:	10.2 mm (0.4 inch) Electronic Viewfinder (PV-L452) 14 mm (0.55 inch) Liquid Crystal Color Electronic Viewfinder (PV-L652)
LCD Monitor:	63.5 mm (2.5 inch) Liquid Crystal Display (PV-L452) 76.2 mm (3.0 inch) Liquid Crystal Display (PV-L652)
Memory:	8 MB SD Memory Card
Image Size:	FINE: 640 × 480 pixels Normal: 320 × 240 pixels
Image Storage:	FINE: Approx. 60 images Normal: Approx. 210 images
Image Format:	JPEG
Minimum Illumination Required:	0.8 lx (F1:1.6) 0.08 footcandles 7 lx (F1:1.6) 0.7 footcandles (EIA Standard)
Operating Temperature:	0 °C~40 °C (32 °F~104 °F)
Operating Humidity:	10 %~75 %
Weight:	Compact VHS Camcorder: 1.00 kg (PV-L452) 2.20 lbs. 0.98 kg (PV-L652) 2.16 lbs. AC Adaptor: 0.3 kg 0.66 lbs.
Dimensions:	Compact VHS Camcorder: 106 (W) × 125 (H) × 190.5 (D) mm (PV-L452) 4-3/16 (W) × 4-15/16 (H) × 7-1/2 (D) inch 109.5 (W) × 122.5 (H) × 190.5 (D) mm (PV-L652) 4-5/16 (W) × 4-13/16 (H) × 7-1/2 (D) inch AC Adaptor: 68 (W) × 41 (H) × 140 (D) mm 2-11/16 (W) × 1-5/8 (H) × 5-1/2 (D) inch

Weight and dimensions shown are approximate.
Designs and specifications are subject to change without notice.

Before Requesting Service

If a problem arises, you may be able to correct it yourself.
See Symptom and Correction list below.

Symptom	Correction
No picture in EVF or LCD monitor ...	<ul style="list-style-type: none"> • Connect Power Source. (pp. 9, 10) • Set POWER to VCR or CAMERA. (pp. 17, 20) • Check for Dew Indication. (p. 47) • Use fully charged Battery. (p. 9) • Firmly connect all needed cables. (p. 10)
The right side of the screen appears grayish...	<ul style="list-style-type: none"> • Be sure DIGITAL WIPE is set to ON. (p. 39)
Video cassette cannot be inserted ...	<ul style="list-style-type: none"> • Connect Power Source. (pp. 9, 10) • Insert cassette, window side facing out. (p. 11)
Video cassette cannot be removed ...	<ul style="list-style-type: none"> • Connect Power Source. (pp. 9, 10)
Operation buttons do not work ...	<ul style="list-style-type: none"> • Check for Dew Indication. (p. 47)
Recording cannot be done ...	<ul style="list-style-type: none"> • Make sure record tab is intact. (p. 11) • Check Battery Indicator. (p. 46) • Check for Dew Indication. (p. 47)
Auto Focus does not operate ...	<ul style="list-style-type: none"> • Set FOCUS to AUTO. (p. 25) • Set POWER to CAMERA. (p. 17)
Sound from microphone can't be monitored ...	<ul style="list-style-type: none"> • Set unit to REC or Record/Pause mode.
Camera picture is too dark ...	<ul style="list-style-type: none"> • Set HIGH SPEED SHUTTER to AUTO. (p. 26)
No playback picture, or the playback picture is noisy or contains streaks ...	<ul style="list-style-type: none"> • Press UP/DOWN button during playback (Tracking Control). (p.20)
"Panasonic ITS TAPES CAN PLAY IN YOUR VCR ..." appears in EVF or LCD Monitor ...	<ul style="list-style-type: none"> • Set POWER to CAMERA, then set SELF DEMO : OFF in MENU screen to cancel Demo mode. (p. 7)
"NO CARD" appears in EVF or LCD Monitor ...	<ul style="list-style-type: none"> • Make sure Memory Card is inserted. (p. 34)
Cannot capture the image ...	<ul style="list-style-type: none"> • Set POWER to PHOTO. (p. 35) • No memory remaining. Delete some images before capturing more images.
Cannot playback Still image ...	<ul style="list-style-type: none"> • Set POWER to PHOTO. (p. 36) • Make sure Memory Card is inserted. (p. 34)
"NO PICTURE" appears in EVF or LCD Monitor ...	<ul style="list-style-type: none"> • There are no images in memory.
Top of playback picture waves back and forth excessively ...	<ul style="list-style-type: none"> • A playback signal is not as stable as an off the air TV signal, so the top of your TV screen may appear bent or unstable during playback. This is called, "Horizontal AFC time constant change." To correct, slowly turn the TV horizontal hold control. If your TV does not have this control, or adjusting it does not help, contact your TV service center. (Some nominal service charges may be required.)

Video Head Cleaning



Clogged Video Head

While head cleaning is normally not needed, playing old or damaged tapes may clog the heads. When playback picture resembles example at the left, head cleaning is required.

Ideally, head cleaning should be performed by a qualified service technician. When this is not possible, purchase a head cleaning cassette. Be sure to follow cleaning cassette instructions exactly and only use when symptoms occur.

Before Requesting Service

Self Diagnostic System

If any of the following numbers appear on-screen, the camcorder may have a problem. Do not remove the battery (if attached) and write down the displayed number on below. Then, take the camcorder to a service center for repair.

Error No.	Description
U11	Card Error
U12	Card Error
U13	Card Error
U14	Card/Camcorder Dialogue Error
U15	No Card Memory
U16	Captured image limit exceeded
U17	Captured image limit exceeded
U30	Error other than above

Request for Service Notice

Please photocopy this form when making a request for service notice.

Request for Service Notice:

In the unlikely event this product needs service.

- Please include your **proof of purchase**.
(Failure to do so will delay your repair.)
- To further speed your repair please provide an explanation of what is wrong with the unit and any symptom it is exhibiting.

Mail this completed form and your Proof of Purchase along with your unit to:
Panasonic Services Company
1705 N. Randall Road
Elgin, IL. 60123-7847
Attn: Camcorder Repair

Please write the displayed Self Diagnostic number here.
(See above)

Limited Warranty

Panasonic Consumer Electronics Company,
Division of Matsushita Electric Corporation
of America, One Panasonic Way
Secaucus, New Jersey 07094

Panasonic Sales Company,
Division of Matsushita Electric of Puerto Rico, Inc.
AVE. 65 de Infantería, Km. 9.5 San Gabriel
Industrial Park, Carolina, Puerto Rico 00985

PANASONIC/QUASAR Video Products Limited Warranty

Panasonic Consumer Electronics Company or Panasonic Sales Company (collectively referred to as "the Warrantor") will repair or replace this product with new or refurbished parts or equivalent product, free of charge, in the USA or Puerto Rico, in the event of a defect in materials or workmanship as follows (all time periods commence from the date of the original purchase):

PRODUCT	PARTS	LABOR	SERVICE	CONTACT NUMBER
CAMCORDER	ONE (1) YEAR, EXCEPT CCD IMAGE SENSOR CCD IMAGE SENSOR - SIX (6) MONTHS	NINETY (90) DAYS NINETY (90) DAYS	Carry-In or Mail-In	1-800-211-PANA(7262)
DVD/VCR DECK	ONE (1) YEAR	NINETY (90) DAYS	Carry-In or Mail-In	1-800-211-PANA(7262)
DIGITAL STILL CAMERA	ONE (1) YEAR, EXCEPT CCD IMAGE SENSOR CCD IMAGE SENSOR - SIX (6) MONTHS	NINETY (90) DAYS NINETY (90) DAYS	Carry-In or Mail-In	1-800-272-7033
A/V MIXER	ONE (1) YEAR	NINETY (90) DAYS	Carry-In or Mail-In	1-800-211-PANA(7262)
TV/VCR, TV/DVD TV/DVD/VCR COMBINATION	ONE (1) YEAR, EXCEPT CRT CRT - TWO (2) YEARS	NINETY (90) DAYS CRT - NINETY (90) DAYS	Carry-In: 21" CRT and Smaller In-Home or Carry-In: 22" CRT and Larger	1-800-211-PANA(7262)
TV/HDR COMBINATION	ONE (1) YEAR, EXCEPT CRT CRT - TWO (2) YEARS	NINETY (90) DAYS CRT - NINETY (90) DAYS	In-Home or Carry-In	1-888-843-9788

Batteries (if included) - New rechargeable batteries in exchange for defective rechargeable batteries for ten (10) days. Non-rechargeable batteries are not warranted.

Tap (if included) - New video cassette tape in exchange for a defective video cassette tape for five (5) days.

Memory cards (if included) - Exchange defective item for new one for ninety (90) days.

In-home, carry-in or mail-in service, as applicable, in the USA can be obtained during the warranty period by contacting a Panasonic Services Company (PASC) Factory Servicenter listed in the Servicenter Directory. Or call toll free contact number listed above, to locate an authorized PASC Servicenter. Carry-in or mail-in service in Puerto Rico can be obtained during the warranty period by calling the Panasonic Sales Company telephone number listed in the Servicenter Directory.

This warranty is extended only to the original purchaser. A purchase receipt or other proof of the date of the original purchase is required before warranty service is rendered.

This warranty only covers failures due to defects in materials and workmanship, which occur during normal use and does not cover normal maintenance, including, but not limited to, video and audio head cleaning. The warranty does not cover damage which occurs in shipment, or failures which are caused by products not supplied by the warrantor, or failures which result from accident, misuse, abuse, neglect, mishandling, misapplication, alteration, modification, faulty installation, set-up adjustments, improper antenna, inadequate signal pickup, maladjustment of consumer controls, improper operation, power line surge, improper voltage supply, lightning damage, commercial use such as hotel, office, restaurant, or other business or rental use of the product, or service by anyone other than a PASC Factory Servicenter or a PASC authorized Servicenter, or damage that is attributable to acts of God.

LIMITS AND EXCLUSIONS

There are no express warranties except as listed above.

THE WARRANTOR SHALL NOT BE LIABLE FOR INCIDENTAL OR CONSEQUENTIAL DAMAGES (INCLUDING, WITHOUT LIMITATION, DAMAGE TO RECORDING MEDIA) RESULTING FROM THE USE OF THIS PRODUCTS, OR ARISING OUT OF ANY BREACH OF THE WARRANTY. ALL EXPRESS AND IMPLIED WARRANTIES, INCLUDING THE WARRANTIES OF MERCHANTABILITY AND FITNESS FOR PARTICULAR PURPOSE, ARE LIMITED TO THE APPLICABLE WARRANTY PERIOD SET FORTH ABOVE.

Some states do not allow the exclusion or limitation of incidental or consequential damages, or limitations on how long an implied warranty lasts, so the above exclusions or limitations may not apply to you.

This warranty gives you specific legal rights and you may also have other rights, which vary, from state to state. If a problem with this product develops during or after the warranty period, you may contact your dealer or Servicenter. If the problem is not handled to your satisfaction, then write to the Consumer Affairs Department at the Panasonic Consumer Electronics Company address above.

SERVICE CALLS WHICH DO NOT INVOLVE DEFECTIVE MATERIALS OR WORKMANSHIP AS DETERMINED BY THE WARRANTOR, IN ITS SOLE DISCRETION, ARE NOT COVERED. COSTS OF SUCH SERVICE CALLS ARE THE RESPONSIBILITY OF THE PURCHASER.

warvid 02/ 12/ 2001

Servicenter List

For Product Information, Operating Assistance, Literature Request, Dealer Locations, and all Customer Service inquiries please contact:
1-800-211-PANA (7262), Monday-Friday 9 am-9 pm; Saturday-Sunday 9 am-7 pm, EST.
or send e-mail to : consumerproducts@panasonic.com

Web Site: <http://www.panasonic.com>
You can purchase parts, accessories or locate your nearest servicenter by visiting our Web Site.

Accessory Purchases:

1-800-332-5368 (Customer Orders Only)
Panasonic Services Company 20421 84th Avenue South, Kent, WA 98032
(6 am to 5 pm Monday - Friday; 6 am to 10:30 am Saturday; PST)
(Visa, MasterCard, Discover Card, American Express, Check)

Factory Servicenters Locations

CALIFORNIA

6550 Katella Avenue
Cypress, CA 90630

800 Dubuque Avenue
S. San Francisco,
CA 94080

3878 Ruffin Road
Suite A
San Diego, CA 92123

FLORIDA

3700 North 29th Avenue
Suite 102
Hollywood, FL 33020

GEORGIA

8655 Roswell Road
Suite 100
Atlanta, GA 30350

ILLINOIS

1709 North Randall Road
Elgin, IL 60123

MASSACHUSETTS

60 Glacier Drive
Suite G
Westwood, MA 02090

MINNESOTA

7850-12th Avenue South
Airport Business Center
Bloomington, MN 55425

OHIO

2236 Waycross Road
Civic Center Plaza
Forest Park, OH 45240

PENNSYLVANIA

2221 Cabot Blvd. West
Suite B
Langhorne, PA 19047

TEXAS

13615 Welch Road
Suite 101
Farmers Branch,
TX 75244

WASHINGTON

20425-84th Avenue
South
Kent, WA 98032

HAWAII

99-859 Iwaiwa Street
Aiea, Hawaii 96701
Phone (808) 488-1996
Fax (808) 486-4369

Service in Puerto Rico

Matsushita Electric of Puerto Rico, Inc. Panasonic Sales Company/ Factory Servicenter:
Ave. 65 de Infantería. Km. 9.5, San Gabriel Industrial Park, Carolina, Puerto Rico 00985
Phone (787) 750-4300 Fax (787) 768-2910

As of Sep. 2001

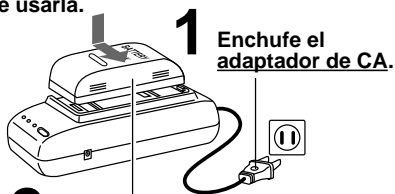
Spanish Quick Use Guide/Guía Para Uso Rápido

Antes de comenzar...

- Inserte un casete con lengüeta para prevención del grabado.

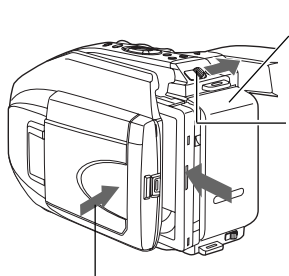
Cargue la batería

Cargue completamente la batería antes de usarla.



- 1** Enchufe el adaptador de CA.
- 2** Instale la batería. El indicador de carga (CHARGE) parpadea, luego queda encendido si ha terminado la carga. Desmonte la batería.

Inserte el casete

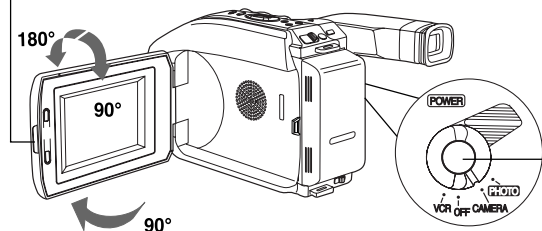


- 1** Coloque la batería cargada.
- 2** Deslice TAPE EJECT para abrir la compuerta.
- 3** Inserte el casete.
- 4** Presione aquí para cerrar la compuerta.

Grabación con la videocámara

Cuando el monitor LCD está completamente abierto, el visor se desconecta automáticamente (PV-L652).

- 1** Presione LCD-OPEN para abrir el monitor LCD. Abralo completamente y ajuste el ángulo.



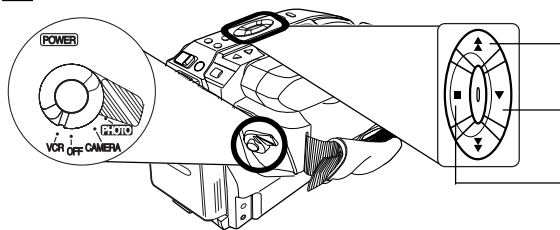
- 2** Ajuste POWER a CAMERA.
- 3** Presione RECORD/PAUSE para comenzar la grabación. Presione RECORD/PAUSE otra vez para hacer una pausa en la grabación.

Reproduzca usando el monitor LCD

Cuando el monitor LCD está completamente abierto, el visor se desconecta automáticamente (PV-L652).

- 1** Presione LCD-OPEN para abrir el monitor LCD. Abralo completamente y ajuste el ángulo (vea arriba).

- 2** Ajuste POWER a VCR.



- 3** Presione REWIND/SEARCH para rebobinar la cinta.
- 4** Presione PLAY para comenzar la reproducción.
- 5** Presione STOP para finalizar la reproducción.

Reproducción con efectos especiales

Para localizar rápidamente una escena específica

- Oprimir el botón de localización (SEARCH).

Para congelar una imagen

- Oprimir el botón de pausa/imagen fija (PAUSE/STILL).
- Oprimir nuevamente el botón cuando se desea continuar reproduciendo.

Index

Symbols

- + (FF) Button 36, 38, 39
- (REW) Button 36, 38, 39

A

- AC Adaptor 10
- Accessories (Optional) 51
- Accessories (Supplied) 2
- Audio/Video Cable 21, 22
- Audio/Video Out 21, 22
- Auto Daylight Saving Time ... 15

B

- Backlight 23
- B.LIGHT Button 23
- Battery Pack 9, 10
- BATTERY RELEASE Button .. 9
- Before Requesting Service
..... 55, 56
- BRIGHT ADJUSTMENT. 17, 20
- Built-in Microphone 17

C

- Camera Recording 17~19
- Car Battery Cord 10
- Cassette Information 11
- Charging Battery 9
- Cleaning EVF 49
- Clock Battery 50
- Clock Set 14, 15
- Color Digital Filter 29
- Copying your Tapes 22

D

- D.ZOOM Button 30
- DC IN 10
- DC Power Cable 10
- Digital E.I.S. 31
- Digital PhotoShot Disk 41
- Digital Still Camera 34~40
- Digital Wipe Mode 40
- Digital Zoom 30
- DISPLAY Button 13, 20, 46
- Display-off Mode 46

E

- EIS Button 31

F

- Fade 27, 28
- FADE Button 27, 28
- FAST FORWARD/SEARCH
Button 20
- Focus 25

H

- Hand Strap 12
- High Speed Shutter 26

L

- LCD Monitor 17, 20, 35, 36
- LCD-OPEN Button
..... 17, 20, 35, 36
- Lens Cap 12
- Light 16, 36
- LIGHT Switch 16, 36
- Limited Warranty 57

M

- MagicPix™ Images 24
- Memory Card 34, 45
- MENU Button 13
- MENU Mode 13
- M-DEL Button 38
- M.FOCUS Button 25
- MODE Button 39, 40
- MotionSensor 33

P

- PC Connection 41~44
- PC Connector 41
- PCMCIA Adaptor 45
- Picture in Picture Wipe Title . 39
- PLAY Button 20, 36
- Playback 20, 21
- PlayPak 21
- Power Supply 9, 10
- POWER Switch ... 7, 17, 20, 35
- POWER ZOOM Button
..... 23, 25, 30
- Pre-recorded Titles 52
- Programmed Recording 19

Q

- Quick Operation Guide 8

R

- RECORD/PAUSE Button 17, 35
- Record/Playback Time 11
- Replacing Clock Battery 50
- Request for Service Notice .. 56
- REWIND/SEARCH Button ... 20

S

- Safety Precautions 3
- Self Demo Mode 7
- Self Diagnostic System 56
- Servicenter List 58
- Shoulder Strap 12
- Speaker 20
- Special Effects 20
- Specifications 54
- START Button 40
- STILL Button 20
- Still Picture 20
- STILL/STROBE Button 32
- Still/Strobe 32
- STOP Button 20

T

- Tab 11
- TAPE EJECT Switch 11, 17, 34
- TAPE SPEED Button 17
- Tracking Control 20
- Tripod Mounting Hole 50

U

- UP (FAR) / DOWN (NEAR)
Button 13, 20, 25

V

- VHF Connecting Cable 22
- Video Cassettes (tapes) 11
- Video Head Cleaning 55
- Viewfinder/LCD Monitor
Indications 46~48
- Viewing (TV/VCR) 21
- VISION ADJUSTMENT 17
- VOLUME 20

W

- Wide (Screen) 32

Z

- Zoom 23, 30

**Panasonic Consumer Electronics Company,
Division of Matsushita Electric Corporation of America**
One Panasonic Way Secaucus, New Jersey 07094

**Panasonic Sales Company ("PSC"),
Division of Matsushita Electric of Puerto Rico, Inc.**
Ave. 65 de Infanteria, Km. 9.5 San Gabriel Industrial Park Carolina,
Puerto Rico 00985



Printed in Indonesia
LSQT0529C
S1101-2122